

## SUBMITTAL: 1400 LIFESTART™ SERIES AED CABINET

Protect valuable Automated External Defibrillators (AED's) with durable Lifestart cabinets. Each cabinet is equipped with a 85 dB door alarm to deter tampering. This series in steel, stainless steel or aluminum fits most AED's on the market.

**Frame, Trim and Door:** #4 brushed stainless steel, clear anodized aluminum or steel with white powder-coat finish. 5/8" door stop and continuous hinge.

**Trim Style & Depth:** *Recessed* – 3/8" flat trim, *Semi-Recessed* – 1-1/2" square edge, 3" or 4" rolled edge (4" has recessed pull), *Surface-Mount* with square or rolled edge.

**Door:** Formed door with zinc-plated handle and roller catch for F and S21 models. Theft-deterrent SAF-T-LOK™ available on G and L22 models.

**Tub:** White powder-coated steel except for aluminum and stainless surface-mounted models. Fire-rated available - See Separate Submittal

**Alarm:** 85 dB Commander (audible) alarm standard with keyed on/off switch on the door.



1413F12SA Surface-Mounted Steel Cabinet With Silkscreen AED Graphic & Optional Siren Strobe Alarm

### STEP 1: SELECT MODEL NUMBER AND QUANTITY ON CHART (refer to chart on page 2)

A. Determine Trim Style according to wall depth. B. Determine Tub I.D. according to size most suited for contents and wall opening.

### STEP 2: SELECT DOOR STYLE Check one box below

- |   |   |
|---|---|
| <input type="checkbox"/> <b>F</b> Full Glazing                | <input type="checkbox"/> <b>W</b> Vertical Duo with SAF-T-LOK |
| <input type="checkbox"/> <b>G</b> Full Glazing with SAF-T-LOK | <input type="checkbox"/> <b>S21</b> Solid Door                |
| <input type="checkbox"/> <b>V</b> Vertical Duo                | <input type="checkbox"/> <b>L22</b> Solid Door with SAF-T-LOK |

### STEP 3: SELECT GLAZING Check one box below

- |  |   |
|--|---|
| <input type="checkbox"/> <b>12</b> Acrylic | <input type="checkbox"/> <b>17</b> Tempered |
|--|---|
- Note:** Only F12 and G12 combinations have large pre-printed AED heart silk screen graphics - All others include AED diecut lettering as shown below

### STEP 4: SELECT OPTIONAL FEATURES AT ADDITIONAL COST


- |  |  |
|--|--|
| <input type="checkbox"/> <b>(SA)</b> Siren Strobe 110 dB Alarm (3 & 4" Trim & Surface-Mount Models Only) | <input type="checkbox"/> Optional Color: _____ See page 2 for colors.  |
| <input type="checkbox"/> <b>(STC)</b> Saf-T-Clasp for Visual Notification When Door has been opened      | <input type="checkbox"/> Wall Signs: __ Flat __ Tent __ Rt Angle __ Bi-Lingual __ Directional (See separate submittal for more details on these plastic signs) |
| <input type="checkbox"/> <b>(14MAG)</b> Magnetic Door Contact for Existing Alarm Systems                 | <input type="checkbox"/> Etched, Silkscreen or Engraved Lettering - Check here and attach separate submittal   |
| <input type="checkbox"/> <b>(14RR)</b> Roller Reed Ball Contact for Existing Alarm Systems               | Custom Door Graphics - company logos, photos -Contact Cust. Service  |
| <input type="checkbox"/> Optional Dark Bronze Anodized Aluminum Finish (Pulls painted to match)          | Bronze or Brass Finish - See separate submittal on website.  |
| <input type="checkbox"/> Optional Stainless Steel Finishes __ #6 __ #7 View Finishes on website          | Automated External Defibrillator sold separately - see website   |
| <input type="checkbox"/> Optional Tub Color: __ Black __ Red __ Other                                    | <b>See website for more information on the above options.</b>  |
| <input type="checkbox"/> Optional Tub Material __ Stainless __ Aluminum (to match trim material)         |  |
| <input type="checkbox"/> <b>(PRH)</b> Flush Pull Handle (Includes AED die cut and decal shown below)     |  |
| <input type="checkbox"/> <b>(PUCH)</b> Polished Chrome Handle  |  |

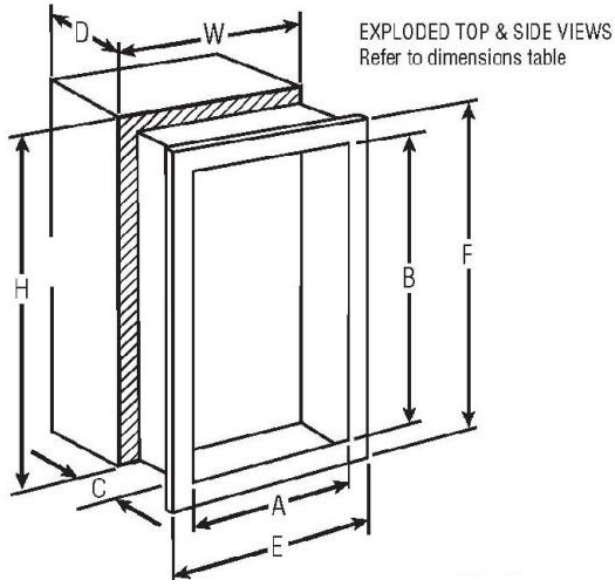


1436F12 Semi-Recessed Cabinet in Stainless Steel with 1-1/2" Square Trim & Silkscreen AED Graphic

AED die cut (1-1/4" x 5-3/8) and Warning decal (3/4" x 3-1/2") included with all cabinets except F12 and G12



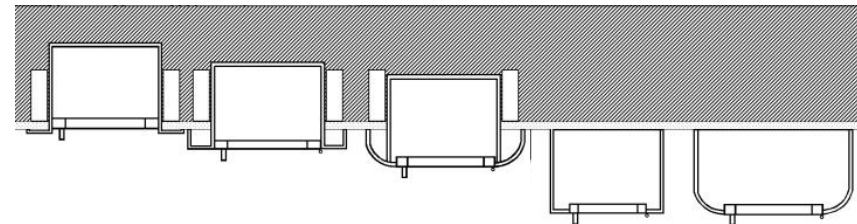
 <b>JL INDUSTRIES</b>	Distributor:	Quantity:
	Contractor:	Approved By:
	Model #:	Architect:
	Project:	Date: © 2023 Activar Construction Products Group, Inc.
2/6/2023		



1417F12 3" Rolled Edge Recessed Trim with Silkscreen AED Graphic



1419SA with Custom Graphics & Optional Color



3/8" Flat Trim    1-1/2" Square Trim    2-1/2, 3 or 4" Rolled Edge    Surface Mount Square Edge    Surface Mount Rolled Edge

Optional Colors at Additional Cost - Samples Available			
Gray	Red	Black/Flat Black	Silver
Sand	AMS Beige	SC Flat Beige	Bronze

TRIM & DOOR MATERIAL & SERIES #						TUB I.D.			FRAME O.D.		WALL OPENING					
QTY	STEEL	QTY	ALUMI-NUM	QTY	STAINLESS STEEL	TRIM STYLE			A	B	C	E	F	W	H	D
	1415		1425		1435	3/8" Flat Trim●			14"	14"	6-3/4"	17-3/8"	17-3/8"	15"	15"	6-5/8"
	1416		1426		1436	1-1/2" Square Trim●			14"	14"	6-3/4"	17-3/8"	17-3/8"	15"	15"	5-3/8"
	1417		--		1437	3" Rolled Trim●			14"	14"	6-3/4"	17-3/8"	17-3/8"	15"	15"	3-7/8"
	--		1427		--	2-1/2" Rolled Trim●			14"	14"	6-3/4"	17-3/8"	17-3/8"	15"	15"	5"
	1412		--		1432	4" Rolled Trim/Recessed Pull●			14"	14"	6-3/4"	17-3/8"	17-3/8"	15"	15"	3-1/8"
	--		1422		--	4" Rolled Trim/Recessed Pull●			14"	14"	6-3/4"	17-3/8"	17-3/8"	15"	15"	3-3/4"
	1413		1423		1433	Surface Mounted Square Edge			17-3/16"	17-3/16"	7"	17-3/8"	17-3/8"	--	--	--
	1419		1429		1439	Surface Mounted Rolled Edge			17-3/16"	17-3/16"	7"	17-3/8"	17-3/8"	--	--	--

● Cabinets that Meet 4" Maximum ADA Projection Requirement