

## SUBMITTAL: PANORAMA™ STEEL FIRE EXTINGUISHER CABINETS

The Panorama Cabinet Features a Frameless Door of Clear Polycarbonate or Opaque Textured Acrylic with Many Lettering Options

**Door & Trim Construction:** Flush cabinet doors are attached by a continuous hinge and equipped with zinc-plated handle and roller catch. 1-3/4" steel trim on cabinet has white powder coat finish.

**Trim Style & Depth:** *Recessed* 3/8" flat trim, *Semi Recessed* - 1-1/4", 1-1/2" Square Edge or 2-1/2", 3", 4", 4-1/2" Rolled Edge (4" has recessed pull). *Surface-mount* models have a square edge or optional rolled edge upon request. See separate submittal for trimless.

**Tub:** The tub is constructed of cold rolled steel with white powder-coat finish standard.

**Fire-Rated Option Available:** Yes - See separate Submittal Form.

**STEP 1: SELECT MODEL NUMBER, MATERIAL AND QUANTITY ON CHART** (refer to chart on pg 2)

- A. Determine Trim Style according to wall depth.
- B. Determine Tub I.D. according to size most suited for extinguisher and wall opening.

**STEP 2: SELECT DOOR STYLE**

(Check one box below)

- |   |  |
|---|--|
| <input type="checkbox"/> C70 Clear 3/16" Unlettered Smooth Polycarbonate              | <input type="checkbox"/> P Identity: 3/16" Textured Obscure Acrylic with Lettering             |
| <input type="checkbox"/> C71 Clear 3/16" Unlettered Smooth Polycarbonate & Saf-T-Lok™ | <input type="checkbox"/> Q Identity: 3/16" Textured Obscure Acrylic with Lettering & Saf-T-Lok |

**STEP 3 - P&Q DOORS SELECT LETTERING STYLE** View lettering styles on page 2

40 Vert, Black Bkgd, White Lettering	45 Horiz, Black Bkgd, White Lettering	50 Ascend, Black Bkgd, White Lettering
41 Vert, Red Bkgd, White Lettering	46 Horiz, Red Bkgd, White Lettering	51 Ascend, Red Bkgd, White Lettering
42 Vert, White Bkgd, Black Lettering	47 Horiz, White Bkgd, Black Lettering	52 Ascend, White Bkgd, Black Lettering
43 Vert, White Bkgd, Red Lettering	48 Horiz, White Bkgd, Red Lettering	53 Ascend, White Bkgd, Red Lettering

**STEP 4: OPTIONAL FEATURES AT ADDED COST (SELECT ANY)**

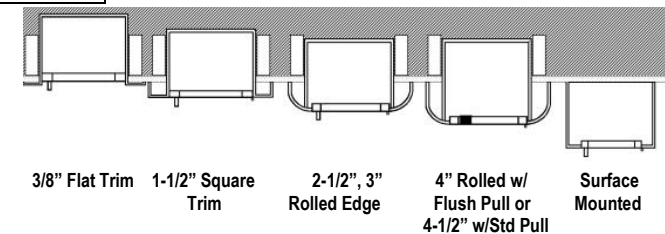
- |   |   |
|---|---|
| <input type="checkbox"/> Futura "Fire" Handle ___ Mill Aluminum (PUF) ___ Red ___ White | <input type="checkbox"/> (CA) Commander Alarm                               |
| <input type="checkbox"/> Flush Pull Handle for P and Q Door Styles Only                 | <input type="checkbox"/> (BA) Brigadier Alarm                               |
| <input type="checkbox"/> Polished Chrome Pull (PUCH)                                    | <input type="checkbox"/> (SA) Strobe Alarm (Surf Mtd Models Only)           |
| <input type="checkbox"/> <b>Optional Color:</b> ___ Red ___ Black ___ Flat Black        | <input type="checkbox"/> Optional Tub Color: ___ Black ___ Red              |
| ___ Sand ___ AMS Beige ___ SC Flat Beige  | <input type="checkbox"/> Rolled Edge Surface Mount - See Separate Submittal |
| ___ Gray ___ Bronze ___ Satin Aluminum  |   |

See Website for More Information on Options



**1012P48A**  
4" Rolled Trim  
Semi-Recessed  
With Standard  
Flush Pull

**1817Q51**  
3" Rolled Trim  
Semi-Recessed

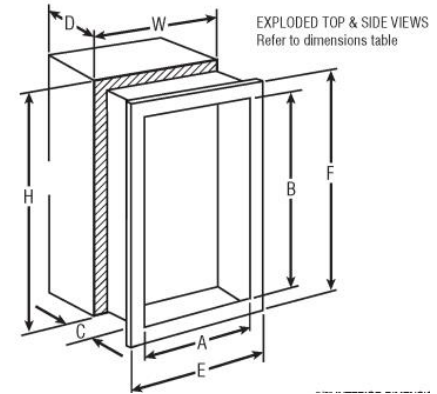


It is the responsibility of the customer to communicate specifications and product performance requirements that are needed for their application. This document is intended to convey potential product configurations and offerings. It is not to be used to imply or represent a specification or rating, of finished products shipped. Detailed, specific submittals can be created upon request. It is the responsibility of the customer to specify product accordingly to comply with local laws, codes, and ordinances.

	Distributor:	Quantity:
	Contractor:	Approved By:
	Model #:	Architect:
	Project:	Date:
© 2023 Activar Construction Products		
5/30/2023		

## SUBMITTAL: PANORAMA STEEL FIRE EXTINGUISHER CABINETS

TRIM & DOOR SERIES #			Tub I.D.			Frame O.D.		Wall Opening			Fits Extinguishers
QTY	Model	Trim Style (in)	A	B	C	E	F	W	H	D	
	8115	● Flat trim	9	18	5 1/2	12 3/8	21 3/8	10	19	5 3/8	Cosmic & Galaxy 2 1/2-5 1/2 Mercury 2 1/2-5
	8116	● 1 1/2 Square	9	18	5 1/2	12 3/8	21 3/8	10	19	4 1/8	
	8117	● 2 1/2 Rolled	9	18	5 1/2	12 3/8	21 3/8	10	19	3 1/8	
	8113	Surf. Mtd Sq	12 3/16	21 3/16	6	12 3/8	21 3/8	--	--	--	Cosmic & Galaxy 2 1/2-5 1/2 Mercury 2 1/2-5
	1815	● Flat trim	10 1/2	24	5 1/2	13 7/8	27 3/8	11 1/2	25	5 3/8	
	1816	● 1 1/2 Square	10 1/2	24	5 1/2	13 7/8	27 3/8	11 1/2	25	4 1/8	
	1817	● 3 Rolled	10 1/2	24	5 1/2	13 7/8	27 3/8	11 1/2	25	2 5/8	
	1812	4 Rolled*(● P or Q)	10 1/2	24	5 1/2	13 7/8	27 3/8	11 1/2	25	1 7/8	
	1818	4 1/2 Rolled	10 1/2	24	5 1/2	13 7/8	27 3/8	11 1/2	25	1 1/8	Cosmic & Galaxy 2 1/2-10 Mercury 2 1/2-5, Sentinel 5
	1015	● Flat trim	10 1/2	24	6	13 7/8	27 3/8	11 1/2	25	5 7/8	
	1016	● 1 1/2 Square	10 1/2	24	6	13 7/8	27 3/8	11 1/2	25	4 5/8	
	1017	● 3 Rolled	10 1/2	24	6	13 7/8	27 3/8	11 1/2	25	3 1/8	
	1012	4 Rolled*(● P or Q)	10 1/2	24	6	13 7/8	27 3/8	11 1/2	25	2 3/8	
	1018	4 1/2 Rolled	10 1/2	24	6	13 7/8	27 3/8	11 1/2	25	1 5/8	Any Cosmic, Galaxy, Mercury, Saturn or Gren- adier P (20 lb must be mounted on back of tub), Sentinel 5 & 10, Nebula 270
	1013	Surf Mtd. Sq	13 11/16	27 3/16	6 1/2	13 7/8	27 3/8	--	--	--	
	2015	● Flat trim	12	27	7 3/4	15 3/8	30 3/8	13	28	7 5/8	
	2016	● 1 1/4 Square	12	27	7 3/4	15 3/8	30 3/8	13	28	6 5/8	
	2017	● 2 1/2 Rolled	12	27	7 3/4	15 3/8	30 3/8	13	28	5 3/8	
	2012	4 Rolled*(● P or Q)	12	27	7 3/4	15 3/8	30 3/8	13	28	4 1/8	Any Cosmic, Galaxy, Mercury, Saturn or Gren- adier (20 lb must be mounted on back of tub), Sentinel 5-15, Nebula 250, 270 or 272
	2018	4 1/2 Rolled	12	27	7 3/4	15 3/8	30 3/8	13	28	3 3/8	
	2013	Surf Mtd. Sq	15 3/16	30 3/16	8 1/4	15 3/8	30 3/8	--	--	--	
	3015	● Flat trim	16	32	7 3/4	19 3/8	35 3/8	17	33	7 5/8	
	3016	● 1 1/4 Square	16	32	7 3/4	19 3/8	35 3/8	17	33	6 5/8	
	3017	● 2 1/2 Rolled	16	32	7 3/4	19 3/8	35 3/8	17	33	5 3/8	Two each of: any Cosmic, Galaxy, Mercury, Saturn or Grenadier P (20 lb must be mounted on back of tub), Sentinel. Single Nebula 270
	3012	4 Rolled*(● P or Q)	16	32	7 3/4	19 3/8	35 3/8	17	33	4 1/8	
	3018	4 1/2 Rolled	16	32	7 3/4	19 3/8	35 3/8	17	33	3 3/8	
	3013	Surf Mtd. Sq	19 3/16	35 3/16	8 1/4	19 3/8	35 3/8	--	--	--	
	4015	● Flat trim	20	27	7 3/4	23 3/8	30 3/8	21	28	7 5/8	
	4016	● 1 1/4 Square	20	27	7 3/4	23 3/8	30 3/8	21	28	6 5/8	
	4017	● 2 1/2 Rolled	20	27	7 3/4	23 3/8	30 3/8	21	28	5 3/8	
	4012	4 Rolled*(● P or Q)	20	27	7 3/4	23 3/8	30 3/8	21	28	4 1/8	
	4018	4 1/2 Rolled	20	27	7 3/4	23 3/8	30 3/8	21	28	3 3/8	
	4013	Surf Mtd. Sq	23 3/16	30 3/16	8 1/4	23 3/8	30 3/8	--	--	--	



PANORAMA "P" & "Q" DOOR GLAZING STYLES



\* 4" Rolled models have recessed pull for P and Q Doors and standard pull for C Styles

- Cabinets that Meet 4" Maximum ADA Projection Requirement