

SUBMITTAL: PANORAMA™ ALUMINUM FIRE-FX2™ FIRE EXTINGUISHER CABINETS

The Panorama Cabinet Features a Frameless Door of Clear Polycarbonate or Opaque Textured Acrylic with Many Lettering Options

Door & Trim Construction: Flush acrylic cabinet doors are attached by a continuous hinge and equipped with zinc-plated handle and roller catch. 1-3/4" trim on cabinet of clear anodized aluminum.

Trim Style & Depth: Recessed 3/8" flat trim, Semi Recessed - 1-1/4", 1-1/2" Square Edge or 2-1/2", 3", 4", 4-1/2" Rolled Edge (4" has recessed pull). Surface-mount models have a square edge. Rolled edge models are constructed of mechanically-joined extrusions, except for models 1827 & 1027 which are die formed, providing an attractive, smooth, rounded corner unique to the JL line of cabinets!

Tub: The tub is constructed of cold rolled steel with white powder-coat finish standard. Tub forms a 1.56" wide flange to cover cut edges of wallboard Fire-resistant material is attached to the exterior of the tub.

Fire Rating: Fire-FX2™ cabinets are UL listed and labeled as an approved membrane penetration firestop system for up to 2 hours in accordance with UL 1479 (ASTM-E814) and CAN/ULC-S115, when properly installed in a wall assembly according to installation instructions.

STEP 1: SELECT MODEL NUMBER AND QUANTITY ON CHART (refer to chart on pg 2)

- A. Determine Trim Style according to wall depth.
- B. Determine Tub I.D. according to size most suited for extinguisher and wall opening.

STEP 2: SELECT DOOR STYLE

(Check one box below)

- | | |
|---|--|
| <input type="checkbox"/> C70 Clear 3/16" Unlettered Smooth Polycarbonate | <input type="checkbox"/> P Identity: 3/16" Textured Obscure Acrylic with Lettering |
| <input type="checkbox"/> C71 Clear 3/16" Unlettered Smooth Polycarbonate & Saf-T-Lok™ | <input type="checkbox"/> Q Identity: 3/16" Textured Obscure Acrylic with Lettering & Saf-T-Lok |

STEP 3 - P&Q DOORS SELECT LETTERING STYLE View lettering styles on page 2 or:

40 Vert, Black Bkgd, White Lettering	45 Horiz, Black Bkgd, White Lettering	50 Ascend, Black Bkgd, White Lettering
41 Vert, Red Bkgd, White Lettering	46 Horiz, Red Bkgd, White Lettering	51 Ascend, Red Bkgd, White Lettering
42 Vert, White Bkgd, Black Lettering	47 Horiz, White Bkgd, Black Lettering	52 Ascend, White Bkgd, Black Lettering
43 Vert, White Bkgd, Red Lettering	48 Horiz, White Bkgd, Red Lettering	53 Ascend, White Bkgd, Red Lettering

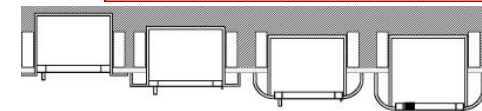
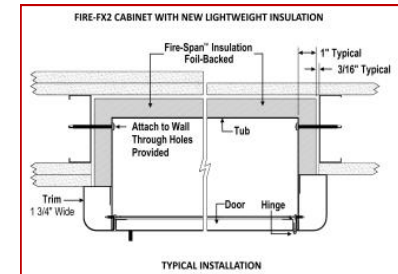
STEP 4: OPTIONAL FEATURES AT ADDED COST (SELECT ANY)

- | | |
|---|--|
| <input type="checkbox"/> Futura "Fire" Handle ___ Mill Alum-(PUF) ___ Red ___ White | <input type="checkbox"/> Optional Tub Color: ___ Black ___ Red |
| <input type="checkbox"/> Flush Pull Handle for "P" or "Q" Style Doors Only (PRH) | <input type="checkbox"/> (CA) Commander Alarm |
| <input type="checkbox"/> Polished Chrome Pull (PUCH) | <input type="checkbox"/> (BA) Brigadier Alarm |
| <input type="checkbox"/> Optional Dark Bronze Anodized Color Finish: (with matching pull) | |



8127Q43FX2
2-1/2" Rolled Trim
Semi-Recessed
With Saf-T-Lok™

1826C70FX2
1-1/2" Square
Trim
Semi-Recessed



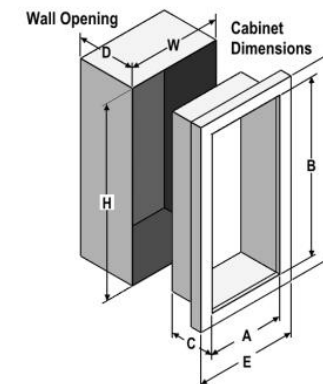
3/8" Flat Trim **1-1/2" Square Trim** **2-1/2" Rolled Edge** **4" Rolled Edge with Recessed Pull Standard**

It is the responsibility of the customer to communicate specifications and product performance requirements that are needed for their application. This document is intended to convey potential product configurations and offerings. It is not to be used to imply or represent a specification or rating, of finished products shipped. Detailed, specific submittals can be created upon request. It is the responsibility of the customer to specify product accordingly to comply with local laws, codes, and ordinances.

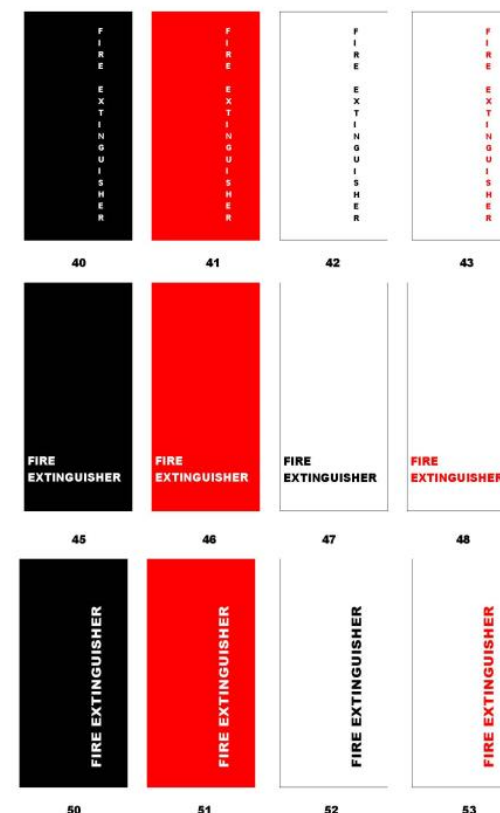
	Distributor:	Quantity:
	Contractor:	Approved By:
	Model #:	Architect:
	Project:	Date: © 2023 Activar Construction Products Inc
5/25/2023		

SUBMITTAL: PANORAMA ALUMINUM FIRE-FX FIRE EXTINGUISHER CABINETS

TRIM & DOOR SERIES #			Tub I.D.			Frame O.D.		FX Wall Opening			Fits Extinguishers
QTY	Model	Trim Style(in)	A	B	C	E	F	W	H	D	
	8125	Flat trim •	9	18	5 1/2	12 3/8	21 3/8	11 5/16	20 5/16	6 7/16	Cosmic & Galaxy 2 1/2-5-1/2 Mercury 2 1/2-5
	8126	1 1/2 Square•	9	18	5 1/2	12 3/8	21 3/8	11 5/16	20 5/16	5 3/16	
	8127	2 1/2 Rolled•	9	18	5 1/2	12 3/8	21 3/8	11 5/16	20 5/16	4 13/16	
	1825	Flat trim •	10 1/2	24	5 1/2	13 7/8	27 3/8	12 13/16	26 5/16	6 7/16	Cosmic & Galaxy 2 1/2-5-1/2 Mercury 2 1/2-5
	1826	1 1/2 Square•	10 1/2	24	5 1/2	13 7/8	27 3/8	12 13/16	26 5/16	5 3/16	
	1827	3 Rolled•	10 1/2	24	5 1/2	13 7/8	27 3/8	12 13/16	26 5/16	3 5/8	
	1822	4 Rolled*(• P or Q)	10 1/2	24	5 1/2	13 7/8	27 3/8	12 13/16	26 5/16	3 1/2	
	1828	4 1/2 Rolled	10 1/2	24	5 1/2	13 7/8	27 3/8	12 13/16	26 5/16	2 13/16	
	1025	Flat trim •	10 1/2	24	6	13 7/8	27 3/8	12 13/16	26 5/16	6 15/16	Cosmic & Galaxy 2 1/2-10 Mercury 2 1/2-5, Sentinel 5
	1026	1 1/2 Square•	10 1/2	24	6	13 7/8	27 3/8	12 13/16	26 5/16	5 11/16	
	1027	3 Rolled•	10 1/2	24	6	13 7/8	27 3/8	12 13/16	26 5/16	4	
	1022	4 Rolled*(• P or Q)	10 1/2	24	6	13 7/8	27 3/8	12 13/16	26 5/16	4	
	1028	4 1/2 Rolled	10 1/2	24	6	13 7/8	27 3/8	12 13/16	26 5/16	3 5/16	
	2025	Flat trim •	12	27	7 3/4	15 3/8	30 3/8	14 5/16	29 5/16	8 11/16	Any †Cosmic, †Galaxy, Mercury, Saturn or Grenadier P, Sentinel 5 & 10, Nebula 270
	2026	1 1/4 Square•	12	27	7 3/4	15 3/8	30 3/8	14 5/16	29 5/16	7 11/16	
	2027	2 1/2 Rolled•	12	27	7 3/4	15 3/8	30 3/8	14 5/16	29 5/16	7 1/16	
	2022	4 Rolled*(• P or Q)	12	27	7 3/4	15 3/8	30 3/8	14 5/16	29 5/16	5 3/4	
	2028	4 1/2 Rolled	12	27	7 3/4	15 3/8	30 3/8	14 5/16	29 5/16	5 1/16	
	3025	Flat trim •	16	32	7 3/4	19 3/8	35 3/8	18 5/16	34 5/16	8 11/16	Any †Cosmic, †Galaxy, Mercury, Saturn or Grenadier P, Sentinel 5-15, Nebula 250, 270, 272
	3026	1 1/4 Square•	16	32	7 3/4	19 3/8	35 3/8	18 5/16	34 5/16	7 11/16	
	3027	2 1/2 Rolled•	16	32	7 3/4	19 3/8	35 3/8	18 5/16	34 5/16	7 1/16	
	3022	4 Rolled*(• P or Q)	16	32	7 3/4	19 3/8	35 3/8	18 5/16	34 5/16	5 3/4	
	3028	4 1/2 Rolled	16	32	7 3/4	19 3/8	35 3/8	18 5/16	34 5/16	5 1/16	
	4025	Flat trim •	20	27	7 3/4	23 3/8	30 3/8	22 5/16	29 5/16	8 11/16	Two each of: any Cosmic, Galaxy, Mercury, Saturn or Grenadier P*, Sentinel 5
	4026	1 1/4 Square•	20	27	7 3/4	23 3/8	30 3/8	22 5/16	29 5/16	7 11/16	
	4027	2 1/2 Rolled•	20	27	7 3/4	23 3/8	30 3/8	22 5/16	29 5/16	7 1/16	
	4022	4 Rolled*(• P or Q)	20	27	7 3/4	23 3/8	30 3/8	22 5/16	29 5/16	5 3/4	
	4028	4 1/2 Rolled	20	27	7 3/4	23 3/8	30 3/8	22 5/16	29 5/16	5 1/16	



PANORAMA "P" & "Q" DOOR GLAZING STYLES



* 4" Rolled models have recessed pull for "P" and "Q" Doors and standard pull for "C" Styles

- Meets ADA Cabinet Projection Req.

† 20 lb Cosmic and Galaxy must be mounted on back of tub

ADA Cabinet Mounting Height: Standard Pull on C71 and Q Style Doors with Saf-T-Lok are 3 5/8" Higher than Door Center, so Allow for that When Mounting Cabinet. Standard Pull with No Lock, or Flush Pull are Centered on Door.