



SUBMITTAL: FIRE EXTINGUISHER CABINET FOR ORBIT™ LOW PROFILE EXTINGUISHERS

This Series Features a Low Profile Tub to Accommodate the Orbit FE10V (Oval 10JABC) Fire Extinguisher*. Recessed Models are Designed to Fit Into a 2" x 4" Stud Wall.

Door & Trim Construction: Cold rolled steel with white powder-coated finish, anodized aluminum, stainless steel with # 4 finish, US3 polished brass or US10 satin finish bronze. Flush cabinet doors with a 5/8" door stop are attached by a continuous hinge and roller catch. Recessed models are equipped with zinc-plated handle and surface mount have flush pull handle. All models have 1-3/4" wide trim on frame and 1-1/4" trim on doors with glazing. Doors with glazing have clear acrylic glazing.

Trim Style & Depth: *Recessed* Flat 3/8" Trim. *Surface Mount:* includes recessed pull - 4" overall depth for ADA compliance.

Tub: The tub is constructed of cold rolled steel with white powder-coat finish standard. Extinguisher rests on a 1" high shelf.

Fire-Rated Option Available: Yes - See separate Submittal Form.



2115G10 Steel Cabinet in Standard White Finish

STEP 1: SELECT MODEL NUMBER BY FINISH AND QUANTITY ON CHART (refer to chart on page 2)

STEP 2: SELECT DOOR STYLE WITH HANDLE

Check one box below Examples on Page 2

- | | |
|--|--|
| <input type="checkbox"/> F10 Full Glazing in 1-1/4" wide Frame | <input type="checkbox"/> L22 Solid with SAF-T-LOK |
| <input type="checkbox"/> G10 Full Glazing with SAF-T-LOK™ in 1-1/4" Frame | <input type="checkbox"/> L24 Solid with Cylinder Lock - No Handle |
| <input type="checkbox"/> D10 Horizontal Duo Panel | <input type="checkbox"/> V10 Vertical Duo |
| <input type="checkbox"/> E10 Horizontal Duo Panel with SAF-T-LOK | <input type="checkbox"/> W10 Vertical Duo with SAF-T-LOK |
| <input type="checkbox"/> S21 Solid Door | |


STEP 3: OPTIONAL FEATURES AT ADDED COST (SELECT ANY)

- | | | |
|---|--|---|
| <input type="checkbox"/> Optional Tub Color: ___ Black ___ Red ___ Silver | <input type="checkbox"/> Black Vertical FE Letters LDCVBF | <input type="checkbox"/> Black Vertical FE Decal LDVBF |
| <input type="checkbox"/> Futura "Fire" Pull ___ Mill Alum ___ Red ___ White | <input type="checkbox"/> Red Vertical FE Letters LDCVRF | <input type="checkbox"/> Red Vertical FE Decal LDVRF |
| <input type="checkbox"/> Polished Chrome Handle (PUCH) | <input type="checkbox"/> White Vertical FE Letters LDCVWF | <input type="checkbox"/> White Vertical FE Decal LDVWF |
| <input type="checkbox"/> Magnetic Catch for 2115 (-MC) Replaces Roller Catch | <input type="checkbox"/> Black Horizontal FE Letters LDCHBF | <input type="checkbox"/> Black Horizontal FE Decal LDHBF |
| <input type="checkbox"/> Optional Color: _____ (See page 2) | <input type="checkbox"/> Red Horizontal FE Letters LDCHRF | <input type="checkbox"/> Red Horizontal FE Decal LDHRF |
| | <input type="checkbox"/> White Horizontal FE Letters LDCHWF | <input type="checkbox"/> White Horizontal FE Decal LDHWF |

For More Information on Options See Other Submittals: Handles & Levers Decals/Die Cuts & Wall Signs,

*Oval is a trademark of the Oval Fire Products Corporation

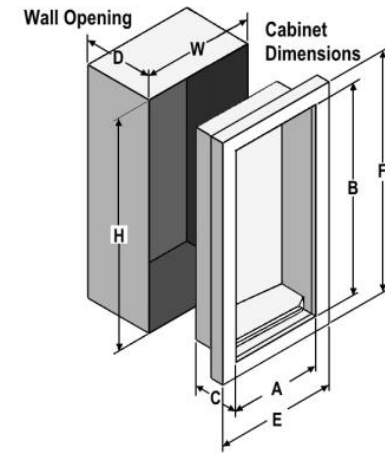
It is the responsibility of the customer to communicate specifications and product performance requirements that are needed for their application. This document is intended to convey potential product configurations and offerings. It is not to be used to imply or represent a specification or rating, of finished products shipped. Detailed, specific submittals can be created upon request. It is the responsibility of the customer to specify product accordingly to comply with local laws, codes, and ordinances.

 JL INDUSTRIES 9702 Newton Av S. Bloomington, MN 55431 Many Locations Nationwide	Distributor:		Project:
	Contractor:		Approved By:
	Date:	Quantity:	Architect:
	Scale: N/A	Pages: 1 of 2	Item #

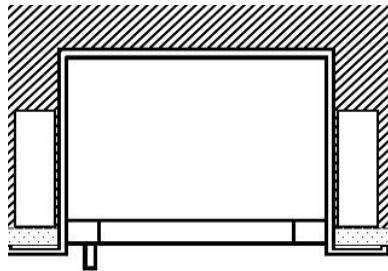


SUBMITTAL: FIRE EXTINGUISHER CABINETS FOR ORBIT™ LOW PROFILE EXTINGUISHERS

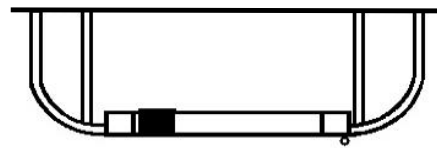
TRIM & DOOR SERIES #			Tub I.D. (inches)			Frame O.D.		Wall Opening			Fire Extinguishers	
QTY	Model	Material	Trim Style	A	B	C	E	F	W	H		D
	2115	Steel, White Painted	Flat Trim	12	27	3 1/8	15 3/8	30 3/8	13	28	3 1/4	Specialty Extinguishers Such as Orbit FE10V (Oval Model 10JABC)
	2125	Anodized Aluminum	Flat Trim	12	27	3 1/8	15 3/8	30 3/8	13	28	3 1/4	
	2135	Stainless Steel	Flat Trim	12	27	3 1/8	15 3/8	30 3/8	13	28	3 1/4	
	2119	Steel, White Painted Recessed Pull	Surface Mount	15 1/4	30 1/4	3 11/16	15 3/8	30 3/8	-	-	-	
	2139	Stainless Steel Recessed Pull	Surface Mount	15 1/4	30 1/4	3 11/16	15 3/8	30 3/8	-	-	-	
	2145	US 10 Satin Bronze	Flat Trim	12	27	3 1/8	15 3/8	30 3/8	13	28	3 1/4	
	2155	US 3 Polished Brass	Flat Trim	12	27	3 1/8	15 3/8	30 3/8	13	28	3 1/4	



All Dimensions Shown in Inches



Recessed w/ Flat Trim



Surface Mount w/ Recessed Pull



F - Full glass with pull handle
G - Full glass with pull handle above Saf-T-Lok

D - Horizontal duo panel with pull handle
E - Horizontal duo panel with pull handle above Saf-T-Lok.

V - Vertical duo panel with pull handle
W - Vertical duo panel with pull handle above Saf-T-Lok.

S21 - Solid with pull handle
L22 - Solid with pull handle above Saf-T-Lok
L24 - Solid with cylinder key lock and no handle (Not Shown)

ADA Cabinet Mounting Height: Standard Pull on G, E, W, and L22 Door Styles with Saf-T-Lok are 3 5/8" Higher than Door Center, so Allow for that When Mounting Cabinet. Standard Pull with No Lock is Centered on Door.

Optional Colors at Additional Cost - Samples Available

Gray	Red	Black/Flat Black	Silver
Sand	AMS Beige	SC Flat Beige	Bronze

SUBMITTAL: FIRE-FX2 FIRE-RATED EXTINGUISHER CABINET FOR ORBIT™ LOW PROFILE EXTINGUISHERS

This Series Features a Low Profile Tub to Accommodate the Orbit FE10V (Oval 10JABC) Fire Extinguisher to Fit Into a 2" x 4" Stud Wall.

Door & Trim Construction: Cold rolled steel with white powder-coated finish, anodized aluminum or stainless steel with # 4 finish, US3 polished brass or US10 satin finish bronze. Flush cabinet doors with a 5/8" door stop are attached by a continuous hinge and roller catch. Recessed models are equipped with zinc-plated handle and surface mount have flush pull handle. All models have 1-3/4" wide trim on frame and 1-1/4" trim on doors with glazing. Doors with glazing have clear acrylic glazing.

Trim Style & Depth: Recessed Flat 3/8" trim.

Tub: The tub is constructed of cold rolled steel with white powder-coat finish standard. Extinguisher rests on a 1" high shelf.

Fire Rating: Fire-FX2™ cabinets are UL listed and labeled as an approved membrane penetration firestop system for up to 2 hours in accordance with UL 1479 (ASTM-E814) and CAN/ULC-S115, when properly installed in a wall assembly according to installation instructions.

STEP 1: SELECT MODEL NUMBER BY FINISH AND QUANTITY ON CHART (refer to chart on page 2)

STEP 2: SELECT DOOR STYLE WITH HANDLE

- F10** Full Glazing in 1-1/4" wide Frame
- G10** Full Glazing with SAF-T-LOK™ in 1-1/4" Frame
- D10** Horizontal Duo Panel
- E10** Horizontal Duo Panel with SAF-T-LOK
- S21** Solid Door

- Check one box below Examples on Page 2
- L22** Solid with SAF-T-LOK
 - L24** Solid with Cylinder Lock - No Handle
 - V10** Vertical Duo
 - W10** Vertical Duo with SAF-T-LOK

2115G10FX2 Steel Cabinet in Standard White Finish




STEP 3: OPTIONAL FEATURES AT ADDED COST (SELECT ANY)

- | | | |
|--|--|---|
| <input type="checkbox"/> Optional Tub Color: ___ Black ___ Red ___ Silver | <input type="checkbox"/> Black Vertical FE Letters LDCVBF | <input type="checkbox"/> Black Vertical FE Decal LDVBF |
| <input type="checkbox"/> Futura "Fire" Pull ___ Mill Alum ___ Red ___ White | <input type="checkbox"/> Red Vertical FE Letters LDCVRF | <input type="checkbox"/> Red Vertical FE Decal LDVRF |
| <input type="checkbox"/> Polished Chrome Handle (PUCH) | <input type="checkbox"/> White Vertical FE Letters LDCVWF | <input type="checkbox"/> White Vertical FE Decal LDVWF |
| <input type="checkbox"/> Magnetic Catch for 2115 (-MC) Replaces Roller Catch | <input type="checkbox"/> Black Horizontal FE Letters LDCHBF | <input type="checkbox"/> Black Horizontal FE Decal LDHBF |
| <input type="checkbox"/> Optional Color: _____ (See page 2) | <input type="checkbox"/> Red Horizontal FE Letters LDCHRF | <input type="checkbox"/> Red Horizontal FE Decal LDHRF |
| | <input type="checkbox"/> White Horizontal FE Letters LDCHWF | <input type="checkbox"/> White Horizontal FE Decal LDHWF |

For More Information on Other Options See Separate Submittals: Handles & Levers Decals/Die Cuts & Wall Signs,

*Oval is a trademark of the Oval Fire Products Corporation

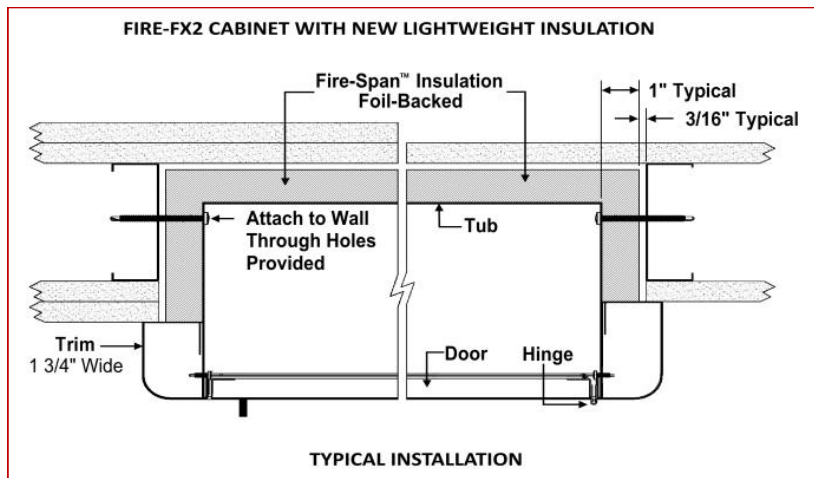
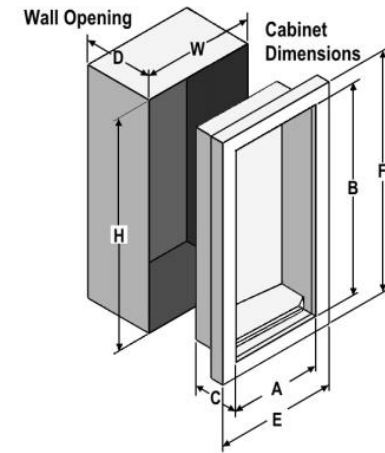
 <p>JL INDUSTRIES</p> <p>9702 Newton Av S. Bloomington, MN 55431 Many Locations Nationwide</p> <p><small>© 2023 Activar Construction Products Group, Inc.</small></p>	Distributor:		Project:	
	Contractor:		Approved By:	
	Date:	Quantity:	Architect:	
	Scale: N/A		Pages: 1 of 2	Item #
	<small>THE INFORMATION CONTAINED IN THIS DOCUMENT IS THE SOLE PROPERTY OF ACTIVAR CONSTRUCTION PRODUCTS GROUP, INC. ANY REPRODUCTION IN PART OF AS A WHOLE WITHOUT THE WRITTEN PERMISSION OF ACTIVAR CONSTRUCTION PRODUCTS GROUP, INC. IS PROHIBITED.</small>			

5/25/2023

SUBMITTAL: FIRE-FX2 FIRE EXTINGUISHER CABINETS FOR ORBIT™ LOW PROFILE EXTINGUISHERS

TRIM & DOOR SERIES #			Tub I.D. (inches)			Frame O.D.		Wall Opening			Fire Extinguishers	
QTY	Model	Material	Trim Style	A	B	C	E	F	W	H		D
	2115_FX2	Steel, White Painted	Flat Trim	12	27	3 1/8	15 3/8	30 3/8	14-5/16	29 5/16	4	Specialty Extinguishers Such as Orbit FE10V (Oval Model 10JABC)
	2125_FX2	Anodized Aluminum	Flat Trim	12	27	3 1/8	15 3/8	30 3/8	14-5/16	29 5/16	4	
	2135_FX2	Stainless Steel	Flat Trim	12	27	3 1/8	15 3/8	30 3/8	14-5/16	29 5/16	4	
	2145_FX2	US 10 Satin Bronze	Flat Trim	12	27	3 1/8	15 3/8	30 3/8	14-5/16	29 5/16	4	
	2155_FX2	US 3 Polished Brass	Flat Trim	12	27	3 1/8	15 3/8	30 3/8	14-5/16	29 5/16	4	

All Dimensions Shown in Inches



ADA Cabinet Mounting Height: Standard Pull on G, E, W, and L22 Door Styles with Saf-T-Lok are 3 5/8" Higher than Door Center, so Allow for that When Mounting Cabinet. Standard Pull with No Lock is Centered on Door.

Optional Colors at Additional Cost - Samples Available			
Gray	Red	Black/Flat Black	Silver
Sand	AMS Beige	SC Flat Beige	Bronze



- F - Full glass with pull handle
- G - Full glass with pull handle above Saf-T-Lok
- D - Horizontal duo panel with pull handle
- E - Horizontal duo panel with pull handle above Saf-T-Lok.
- V - Vertical duo panel with pull handle
- W - Vertical duo panel with pull handle above Saf-T-Lok.
- S21 - Solid with pull handle
- L22 - Solid with pull handle above Saf-T-Lok
- L24 - Solid with cylinder key lock and no handle (Not Shown)

It is the responsibility of the customer to communicate specifications and product performance requirements that are needed for their application. This document is intended to convey potential product configurations and offerings. It is not to be used to imply or represent a specification or rating, of finished products shipped. Detailed, specific submittals can be created upon request. It is the responsibility of the customer to specify product accordingly to comply with local laws, codes, and ordinances.