

**SUBMITTAL: CROWNLINE™ VALVE & HOSE CABINETS - STEEL**

**Crownline Cabinets Provide A Wide Selection of Door Styles, Glazing and Sizes. These Durable Cabinets are Designed to Industry Standards for Fire Department Valves, Fire Hose Rack Units and Extinguishers.**

**Door & Trim:** Cold rolled steel with white powder coat finish standard. These flush cabinet doors are mounted in a 5/8" door stop, are attached by a continuous hinge and are equipped with zinc-plated handle and roller catch for all non-locking doors. Theft-deterrent SAF-T-LOK™ also available.

**Trim Style and Depth:** 1-3/4" face trim on frame. *Recessed* - 3/8" flat trimless. *Semi-recessed* - 1-1/4" Square Edge or 2-1/2" Rolled Edge. *Surface mounted* - Square edge. Optional rolled edge see options below. See separate submittal for trimless models with wallboard bead or plaster flange.

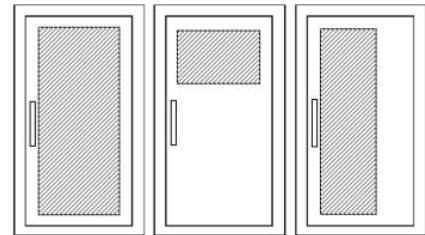
**Tub:** The tub is constructed of cold rolled steel with white powder-coat finish standard.

**Knockouts:** K.O.'s are provided on both sides of the cabinet. K.O.'s on left side will be located using "J" dimension, K.O.'s on right side using "K" dimension and may be offset from K.O.'s on "J" side of cabinet. Models 6017 & 6217 - Specify K.O. location. Provided on surface mounted cabinets by request, except rolled edge models. Custom location K.O.'s available. See Page 2 for Drawing of K.O. locations.

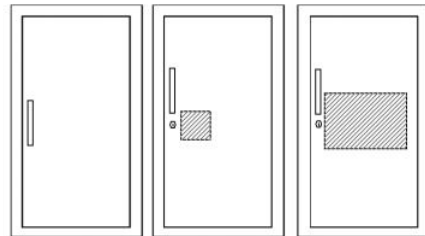
**Fire-Rated Option Available:** Yes - See separate submittal.



**Model 6315G10**



**F** - Full glass with pull  
**G** - Full glass with pull handle and Saf-T-Lok (Not Shown)  
**D** - Horizontal duo panel with pull  
**E** - Horizontal duo panel with pull and Saf-T-Lok. (Not Shown)  
**V** - Vertical duo panel with pull  
**W** - Vertical duo panel with pull and Saf-T-Lok. (Not Shown)



**S21** - Solid with pull  
**L22** - Solid with pull and Saf-T-Lok  
**L24** - Solid with cylinder key lock/no pull (L22,24 not shown)  
**B10** - Acrylic view window with pull, and Saf-T-Lok  
**A** - Horizontal duo panel with pull and Saf-T-Lok

**STEP 1: SELECT MODEL NUMBER, TRIM & QUANTITY (Refer to Chart on Page 2 & 3)**

**STEP 2: SELECT DOOR STYLE**

(Check one box below)

- |   |  |
|---|--|
| <input type="checkbox"/> <b>F</b> Full Glazing                        | <input type="checkbox"/> <b>L22</b> Solid with SAF-T-LOK                 |
| <input type="checkbox"/> <b>G</b> Full Glazing with Saf-T-Lok         | <input type="checkbox"/> <b>V</b> Vertical Duo                           |
| <input type="checkbox"/> <b>D</b> Horizontal Duo Panel                | <input type="checkbox"/> <b>W</b> Vertical Duo with SAF-T-LOK            |
| <input type="checkbox"/> <b>E</b> Horizontal Duo Panel with SAF-T-LOK | <input type="checkbox"/> <b>B10</b> Acrylic View Window with SAF-T-LOK   |
| <input type="checkbox"/> <b>A</b> Center Duo Panel with SAF-T-LOK     | <input type="checkbox"/> <b>L24</b> Solid with Cylinder Lock & No Handle |
| <input type="checkbox"/> <b>S21</b> Solid Door                        |  |

**STEP 3: SELECT DOOR GLAZING**

(Check one box below)

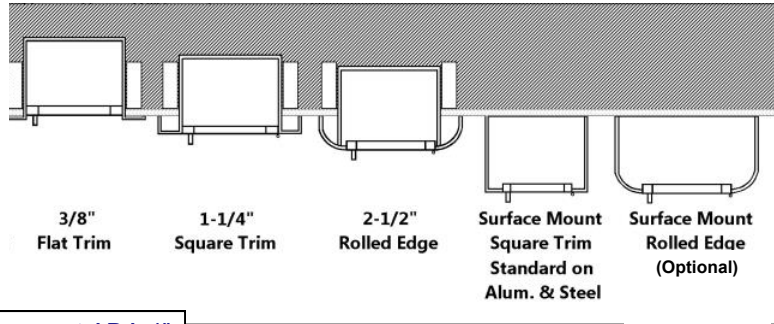
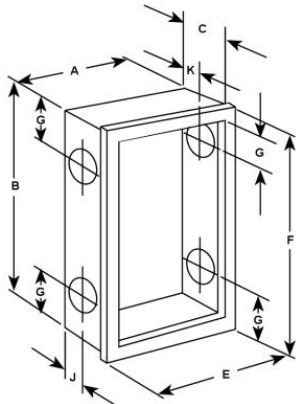
- |  |   |
|--|---|
| <input type="checkbox"/> <b>10</b> Clear Acrylic                     | <input type="checkbox"/> <b>16</b> Gray Acrylic           |
| <input type="checkbox"/> <b>13</b> Clear Wire Glass with Safety Film | <input type="checkbox"/> <b>17</b> Clear Tempered Glass   |
| <input type="checkbox"/> <b>15</b> Bronze Acrylic                    | <input type="checkbox"/> <b>18</b> Laminated Safety Glass |

**STEP 4: OPTIONAL FEATURES AT ADDITIONAL COST:**

- |  |   |  |
|--|---|--|
| <input type="checkbox"/> Optional Tub Color: ___ Black ___ Red           | <input type="checkbox"/> <b>PUCH</b> Polished Chrome Handle   | <input type="checkbox"/> Black Vertical FE Letters <b>LDCVBF</b> E   |
| <input type="checkbox"/> Optional Color: ___ Red ___ Black ___ Sand      | <input type="checkbox"/> <b>(MC)</b> Magnetic Catch—Replaces Roller Catch                             | <input type="checkbox"/> Red Vertical FE Letters <b>LDCVRF</b> E     |
| ___ AMS Beige ___ SC Flat Beige ___ Gray                                 | <input type="checkbox"/> <b>FDVO</b> Decal <b>Fire Department Valve</b> Octagonal 6 x 6"              | <input type="checkbox"/> White Vertical FE Letters <b>LDCVWF</b> E   |
| ___ Bronze ___ Silver ___ Flat Black                                     | <input type="checkbox"/> <b>1403</b> Decal <b>Fire Hose</b> Black/Red Horiz. Letters 4 x 9            | <input type="checkbox"/> Black Horizontal FE Letters <b>LDCHBF</b> E |
| <input type="checkbox"/> Rolled Edge on Surface-Mount Model              | <input type="checkbox"/> <b>LDCHRFDV-R</b> Diecut <b>Fire Dept. Valve</b> Horiz. 10-1/4 x 4-3/8       | <input type="checkbox"/> Red Horizontal FE Letters <b>LDCHRF</b> E   |
| <input type="checkbox"/> <b>SA</b> Strobe Alarm (surface mount models)   | <input type="checkbox"/> <b>LDCVRFDV</b> Diecut <b>Fire Dept Valve</b> Vert. 3/4" x 21 1/2"           | <input type="checkbox"/> White Horizontal FE Letters <b>LDCHWF</b> E |
| <input type="checkbox"/> <b>CA</b> Commander Alarm                       | <input type="checkbox"/> <b>LDCVRFDV-R</b> Diecut <b>Fire Dept Valve</b> Vert. Revers. 3/4" x 21 1/2" | <input type="checkbox"/> Etched Glass, Engraved Metal, Silkscreen    |
| <input type="checkbox"/> <b>BA</b> Brigadier Alarm                       | <input type="checkbox"/> <b>LDCHRFDV</b> Diecut <b>Fire Department Valve</b> Ascend. 1" x 17"         | Lettering (Check Here and  |
| <input type="checkbox"/> Futura "Fire" Handle ___ Mill ___ Red ___ White | <input type="checkbox"/> <b>LDCVRFSCV-R</b> Diecut <b>Fire Sprinkler Cont. Valve</b> Vert 3/4" x 18"  | Attach Separate Submittal to Order)                                  |
| <input type="checkbox"/> <b>PRH</b> Recessed Pull Handle                 | Fire Hose Racks - See separate submittal  | <input type="checkbox"/> Shelf for 8000 Series 12" from Top          |

<p><b>JL INDUSTRIES</b></p> <p>©2023 ACTIVAR CONSTRUCTION PRODUCTS GROUP, INC.</p>	Distributor:	Quantity:
	Contractor:	Approved By:
	Model #:	Architect:
	Project:	Date:
<p><b>HEADQUARTERS:</b> 9702 NEWTON AVE S, BLOOMINGTON, MN 55431 <b>PH:</b> 800-554-6077 <b>EMAIL:</b> SALES@ACTIVARCPG.COM WWW.ACTIVARCPG.COM</p> <p><b>MANUFACTURING:</b> BLOOMINGTON, MN &amp; COMMERCE, CA <b>WAREHOUSES:</b> SEE WEBSITE FOR LOCATIONS 12/22/2023</p>		

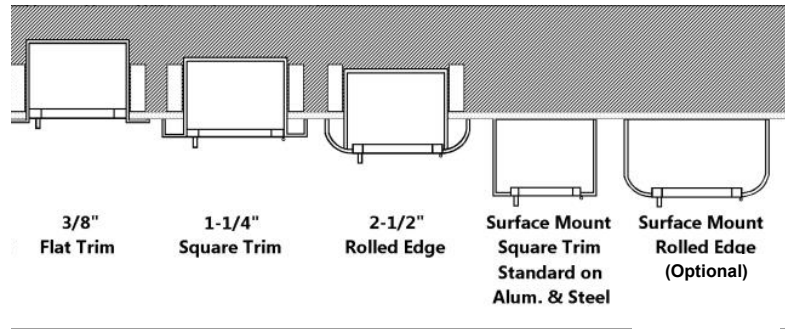
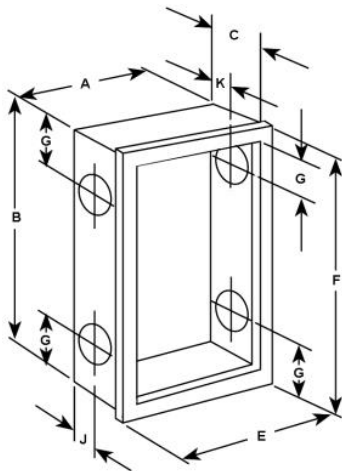
SUBMITTAL: CROWLINE VALVE & HOSE CABINETS - STEEL



Cabinets in Blue meet ADA 4" Projection Requirement

TRIM & DOOR MATERIAL & SERIES		TUB I.D. W x H x D in Inches			FRAME O.D.		RECESSED WALL OPENING DIMENSIONS			KNOCKOUT LOCATIONS			RECOMMENDED HOSE RACK, VALVES & FIRE EXTINGUISHERS	
QTY	#	TRIM STYLE	A	B	C	E	F	Width	Height	Depth	J	G		K
<b>Cabinets for Hose Rack &amp; Extinguisher or FD Valve</b>														
	6015	FLAT TRIM 3/8"	24	30	6	27 3/8	33 3/8	25	31	5 7/8	2 1/2	4	2 1/2	<b>HOSE RACK:</b> 1- 1/2" x 1-1/2" Hose Rack Unit with 50 or 75' Hose (HRA:050B, 050CH, 075B, 075CH) & Cosmic 2½ or Galaxy 2½- 5 lb Extinguisher
	6016	1-1/4" SQUARE EDGE	24	30	6	27 3/8	33 3/8	25	31	4 7/8	2 1/2	4	2 1/2	
	6017	2-1/2" ROLLED EDGE	24	30	6	27 3/8	33 3/8	25	31	3 5/8	Specify When Ordering			
	6013	SURFACE MOUNTED	27 3/16	33 3/16	6 1/2	27 3/8	33 3/8	-	-	-	Upon Request			
	6215	FLAT TRIM 3/8"	24	34 3/4	6	27 3/8	38 1/8	25	35 3/4	5 7/8	2 1/2	4	2 1/2	<b>HOSE RACK:</b> 1- 1/2" x 1-1/2" Hose Rack Unit - 100' Hose (HRA 100B, HRA100CH) & Cosmic 2½ or Galaxy 2½- 5 lb Extinguisher
	6216	1-1/4" SQUARE EDGE	24	34 3/4	6	27 3/8	38 1/8	25	35 3/4	4 7/8	2 1/2	4	2 1/2	
	6217	2-1/2" ROLLED EDGE	24	34 3/4	6	27 3/8	38 1/8	25	35 3/4	3 5/8	Specify When Ordering			
	6213	SURFACE MOUNTED	27 3/16	37 15/16	6 1/2	27 3/8	38 1/8	-	-	-	Upon Request			
	6115	FLAT TRIM 3/8"	24	30	8	27 3/8	33 3/8	25	31	7 7/8	4	4	2 1/2	<b>HOSE RACK:</b> 2-1/2" x 1-1/2" Hose Rack Unit 50 or 75' Hose (HRA050B-2.5, HRA075B-2.5)
	6116	1-1/4" SQUARE EDGE	24	30	8	27 3/8	33 3/8	25	31	6 7/8	4	4	2 1/2	
	6117	2-1/2" ROLLED EDGE	24	30	8	27 3/8	33 3/8	25	31	5 5/8	4	4	2 1/2	
	6113	SURFACE MOUNTED	27 3/16	33 3/16	8 1/2	27 3/8	33 3/8	-	-	-	Upon Request			
	6415	FLAT TRIM 3/8"	24	34 3/4	8	27 3/8	38 1/8	25	35 3/4	7 7/8	4	4	2 1/2	<b>HOSE RACK:</b> 2-1/2" x 1-1/2" Hose Rack Unit 100' Hose (HRA100B-2.5)
	6416	1-1/4" SQUARE EDGE	24	34 3/4	8	27 3/8	38 1/8	25	35 3/4	6 7/8	4	4	2 1/2	
	6417	2-1/2" ROLLED EDGE	24	34 3/4	8	27 3/8	38 1/8	25	35 3/4	5 5/8	4	4	2 1/2	
	6413	SURFACE MOUNTED	27 3/16	37 15/16	8 1/2	27 3/8	38 1/8	-	-	-	Upon Request			
	6615	FLAT TRIM 3/8"	24	38 3/4	8	27 3/8	42 1/8	25	39 3/4	7 7/8	4	4	2 1/2	<b>HOSE RACK:</b> 2-1/2" x 1-1/2" Hose Rack Unit 125' Hose (HRA125B-2.5)
	6616	1-1/4" SQUARE EDGE	24	38 3/4	8	27 3/8	42 1/8	25	39 3/4	6 7/8	4	4	2 1/2	
	6617	2-1/2" ROLLED EDGE	24	38 3/4	8	27 3/8	42 1/8	25	39 3/4	5 5/8	4	4	2 1/2	
	6613	SURFACE MOUNTED	27 3/16	41 15/16	8 1/2	27 3/8	42 1/8	-	-	-	Upon Request			
	6315	FLAT TRIM 3/8"	30	30	8	33 3/8	33 3/8	31	31	7 7/8	4	4	2 1/2	<b>HOSE RACK &amp; FD VALVE OR EXTINGUISHER:</b> 1-1/2" OR 2-1/2" Valve 50' or 75' Hose Rack Unit Plus FD Valve or Cosmic or Galaxy Extinguisher
	6316	1-1/4" SQUARE EDGE	30	30	8	33 3/8	33 3/8	31	31	6 7/8	4	4	2 1/2	
	6317	2-1/2" ROLLED EDGE	30	30	8	33 3/8	33 3/8	31	31	5 5/8	4	4	2 1/2	
	6313	SURFACE MOUNTED	33 3/16	33 3/16	8 1/2	33 3/8	33 3/8	-	-	-	Upon Request			
	6515	FLAT TRIM 3/8"	32 3/4	34 3/4	8	36 1/8	38 1/8	33 3/4	35 3/4	7 7/8	4	4	2 1/2	<b>HOSE RACK &amp; FD VALVE OR EXTINGUISHER:</b> 1-1/2" OR 2-1/2" Valve, 100' Hose Rack Unit Plus FD Valve or Cosmic or Galaxy Extinguisher
	6516	1-1/4" SQUARE EDGE	32 3/4	34 3/4	8	36 1/8	38 1/8	33 3/4	35 3/4	6 7/8	4	4	2 1/2	
	6517	2-1/2" ROLLED EDGE	32 3/4	34 3/4	8	36 1/8	38 1/8	33 3/4	35 3/4	5 5/8	4	4	2 1/2	
	6513	SURFACE MOUNTED	35 15/16	37 15/16	8 1/2	36 1/8	38 1/8	-	-	-	Upon Request			
	7215	FLAT TRIM 3/8"	32 3/4	38 3/4	8	36 1/8	42 1/8	33 3/4	39 3/4	7 7/8	4	4	2 1/2	<b>HOSE RACK &amp; FD VALVE OR EXTINGUISHER:</b> 1-1/2" OR 2-1/2" Valve, 125' Hose Rack Unit Plus FD Valve or Cosmic or Galaxy Extinguisher
	7216	1-1/4" SQUARE EDGE	32 3/4	38 3/4	8	36 1/8	42 1/8	33 3/4	39 3/4	6 7/8	4	4	2 1/2	
	7217	2-1/2" ROLLED EDGE	32 3/4	38 3/4	8	36 1/8	42 1/8	33 3/4	39 3/4	5 5/8	4	4	2 1/2	
	7213	SURFACE MOUNTED	35 15/16	41 15/16	8 1/2	36 1/8	42 1/8	-	-	-	Upon Request			

ADA Cabinet Mounting Height: Standard Pull on G, E, W, L22 and B Door Styles with Saf-T-Lok are 3 5/8" Higher than Door Center, so Allow for that When Mounting Cabinet. Standard Pull with No Lock or ADA Recessed Pull are Centered on Door.



TRIM & DOOR MATERIAL & SERIES			TUB I.D. W x H x D in Inches			FRAME O.D.		RECESSED WALL OPENING			KNOCKOUT LOCATIONS			RECOMMENDED HOSE RACK, VALVES & EXTINGUISHERS
QTY	#	TRIM STYLE	A	B	C	E	F	Width	Height	Depth	J	G	K	
<b>Cabinets for Fire Department Valves</b>														
	8515	FLAT TRIM 3/8"	18	18	8	21 3/8	21 3/8	19	19	7 7/8	4	9	2 1/2	FIRE DEPARTMENT VALVE: 1-1/2" or 2-1/2" Fire Department Valve with Cap and Chain
	8516	1-1/4" SQUARE EDGE	18	18	8	21 3/8	21 3/8	19	19	6 7/8	4	9	2 1/2	
	8517	2-1/2" ROLLED EDGE	18	18	8	21 3/8	21 3/8	19	19	5 5/8	4	9	2 1/2	
	8513	SURFACE MOUNTED	21 3/16	21 3/16	8 1/2	21 3/8	21 3/8	-	-	-	Upon Request			
	8415	FLAT TRIM 3/8"	18	18	10	21 3/8	21 3/8	19	19	9 7/8	5	9	5	
	8416	1-1/4" SQUARE EDGE	18	18	10	21 3/8	21 3/8	19	19	8 7/8	5	9	5	
	8417	2-1/2" ROLLED EDGE	18	18	10	21 3/8	21 3/8	19	19	7 5/8	5	9	5	
	8413	SURFACE MOUNTED	21 3/16	21 3/16	10 1/2	21 3/8	21 3/8	-	-	-	Upon Request			
	8715	FLAT TRIM 3/8"	26	26	8	29 3/8	29 3/8	27	27	7 7/8	4	13	2 1/2	DUAL SIDE BY SIDE FIRE DEPARTMENT VALVE & EXTINGUISHER OR 2 FIRE DEPARTMENT VALVES: 1-1/2" or 2-1/2" Fire Department Valve with Cap and Chain Plus Cosmic & Galaxy 2 1/2-10 Fire Extinguisher
	8716	1-1/4" SQUARE EDGE	26	26	8	29 3/8	29 3/8	27	27	6 7/8	4	13	2 1/2	
	8717	2-1/2" ROLLED EDGE	26	26	8	29 3/8	29 3/8	27	27	5 5/8	4	13	2 1/2	
	8713	SURFACE MOUNTED	29 3/16	29 3/16	8 1/2	29 3/8	29 3/8	-	-	-	Upon Request			
	8615	FLAT TRIM 3/8"	26	26	10	29 3/8	29 3/8	27	27	9 7/8	5	13	5	
	8616	1-1/4" SQUARE EDGE	26	26	10	29 3/8	29 3/8	27	27	8 7/8	5	13	5	
	8617	2-1/2" ROLLED EDGE	26	26	10	29 3/8	29 3/8	27	27	7 5/8	5	13	5	
	8613	SURFACE MOUNTED	29 3/16	29 3/16	10 1/2	29 3/8	29 3/8	-	-	-	Upon Request			
	8015	FLAT TRIM 3/8"	16	40	9	19 3/8	43 3/8	17	41	8 7/8	4 1/4	4	4 1/4	DUAL EXTINGUISHER & FD VALVE CABINET: Cosmic or Galaxy Fire Extinguisher
	8016	1-1/4" SQUARE EDGE	16	40	9	19 3/8	43 3/8	17	41	7 7/8	4 1/4	4	4 1/4	
	8017	2-1/2" ROLLED EDGE	16	40	9	19 3/8	43 3/8	17	41	6 5/8	4 1/4	4	4 1/4	
	8013	SURFACE MOUNTED	19 3/16	43 3/16	9 1/2	19 3/8	43 3/8	-	-	-	Upon Request			

**ADA Cabinet Mounting Height:** Standard Pull on G, E, W, A, L22 and B Door Styles with Saf-T-Lok are 3 5/8" Higher than Door Center, so Allow for that When Mounting Cabinet. Standard Pull with No Lock or Doors with Recessed Pull are Centered on Door.

Cabinets in Blue meet ADA 4" Projection Requirement

It is the responsibility of the customer to communicate specifications and product performance requirements that are needed for their application. This document is intended to convey potential product configurations and offerings. It is not to be used to imply or represent a specification or rating, of finished products shipped. Detailed, specific submittals can be created upon request. It is the responsibility of the customer to specify product accordingly to comply with local laws, codes, and ordinances.