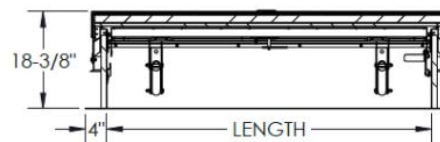
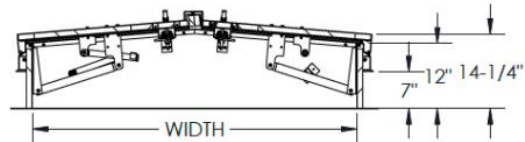
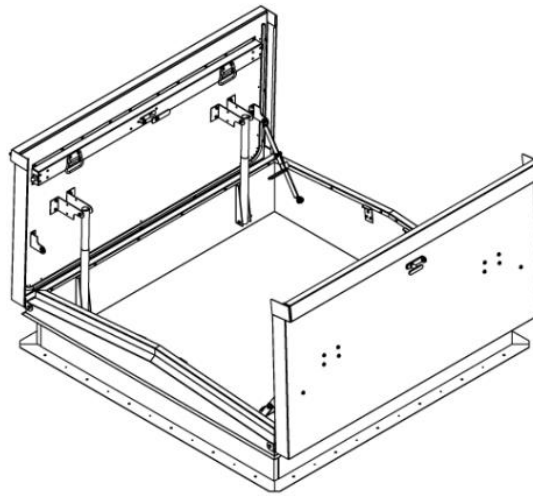
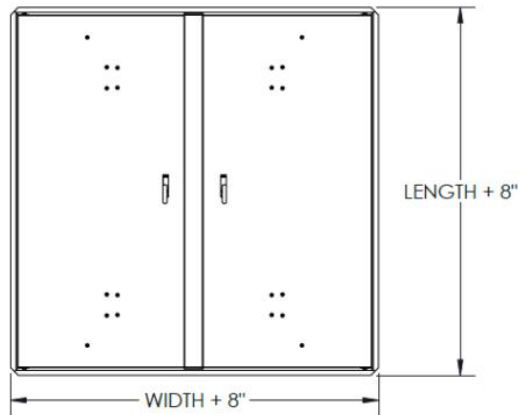


## ROOF ACCESSORIES—DURA-HATCH EQUIPMENT SERIES—REH

Double leaf steel or aluminum equipment hatches are ideal for equipment installation and servicing from the roof. Now, with R6 polyisocyanurate insulation and durable factory finish powder coat.



### SPECIFICATIONS:

**Material:** Steel- 14 gauge galvanized steel curb and cover with 22 gauge galvanized steel cover liner. Aluminum—11 gauge aluminum curb and cover with 18 gauge aluminum cover liner.

**Finish:** Powder coat gray texture on steel, powder coat silver texture on aluminum.

**Gasketing:** Bulb neoprene door seal

**Insulation:** 1" polyisocyanurate (R-6) on curb and in cover

**Hinges:** Heavy-duty galvanized steel or aluminum hinge with bolt pin

**Hold-Open Arm:** Clear zinc-plated steel hold-open arm with red plastic coating

**Latches:** Two point universal spring latches on each cover with exterior and interior handles

**Spring:** Pressure intensifiers with compression springs provide lift assistance

**Sizes:** Minimum: 48" x 48" Maximum: 72" x 96"

**Clear Opening:** Minus 8" on width and minus 8" on length



**DUR-RED PRODUCTS**

9702 Newton Av S. Bloomington, MN 55431

@ 2024 Activar Construction Products Group, Inc.

Distributor:		Project:
Contractor:		Approved By:
Date:	Quantity:	Architect:
Scale: N/A	Pages: 1 of 2	Item #

THE INFORMATION CONTAINED IN THIS DOCUMENT IS THE SOLE PROPERTY OF ACTIVAR CONSTRUCTION PRODUCTS GROUP, INC. ANY REPRODUCTION IN PART OF AS A WHOLE WITHOUT THE WRITTEN PERMISSION OF ACTIVAR CONSTRUCTION PRODUCTS GROUP, INC. IS PROHIBITED.

REV G - 2/20/2024

## ROOF ACCESSORIES—DURA-HATCH EQUIPMENT SERIES—REH

### COMMON SIZES—REH

QTY	MODEL	PRIOR MODEL	MATERIAL	CURB OPENING	CLEAR OPENING
	REHA-4848ST	EHA-4848	Aluminum	48" x 48"	40" x 40"
	REHA-6060ST	EHA-6060	Aluminum	60" x 60"	52" x 52"
	REHA-6096ST	EHA-6096	Aluminum	60" x 96"	52" x 88"
	REHA-7272ST	EHA-7272	Aluminum	72" x 72"	64" x 64"
	REHA-7296ST	EHA-7296 (EHA-1)	Aluminum	72" x 96"	64" x 88"
	REHG-4848GT	EHG-4848	Steel	48" x 48"	40" x 40"
	REHG-6060GT	EHG-6060	Steel	60" x 60"	52" x 52"
	REHG-6096GT	EHG-6096	Steel	60" x 96"	52" x 88"
	REHG-7272GT	EHG-7272	Steel	72" x 72"	64" x 64"
	REHGA-7296ST	EHGA-7296 (EHGA-1)	Steel Curb & Aluminum Cover	72" x 96"	64" x 88"

### MADE-TO-ORDER REH: EXAMPLE—REHG-4884GT-CD

REH	MATERIAL	- WIDTH LENGTH	FINISH	- OPTIONS
<input type="checkbox"/>	<b>G</b> Galvanneal	<input type="text"/>	<b>GT</b> Powder Coat Gray Texture (Std for REHG)	<input type="checkbox"/> <b>CD</b> Double Wall Curb
<input type="checkbox"/>	<b>A</b> Aluminum	<input type="text"/>	<b>ST</b> Powder Coat Silver Texture (Std for REHA, REHGA)	<input type="checkbox"/> <b>CM</b> Curb Mount
<input type="checkbox"/>	<b>GA</b> Steel Curb, Aluminum Cover			<input type="checkbox"/> <b>H18</b> 18" High Curb
				<input type="checkbox"/> <b>IS</b> 1" Fiberboard Insulated Curb
				<input type="checkbox"/> <b>IT</b> 2" Polyiso Insulated Curb
				<input type="checkbox"/> <b>IW</b> 1" x 6" Wood Nailer Top/Polyiso Bottom of Curb
				<input type="checkbox"/> <b>SS</b> Stainless Hardware (excluding zinc plated steel center operator)

It is the responsibility of the customer to communicate specifications and product performance requirements that are needed for their application. This document is intended to convey potential product configurations and offerings. It is not to be used to imply or represent a specification or rating, of finished products shipped. Detailed, specific submittals can be created upon request. It is the responsibility of the customer to specify product accordingly to comply with local laws, codes, and ordinances.