



SD-6000

SECURITY DOORS Heavy Security Access Door

Application

- Installation ideal for prisons, correctional facilities, housing projects etc.
- Heavy duty access door designed for use in high security areas

Product Features

- 10 Gauge Door
- Security butt hinges are surface welded to the door and frame
- A detention type deadbolt lock with paracentric key is standard

SD-6000 Access Door Specifications:

Door / Door Frame: Door 10 gauge (.134) plate & frame is 2x2x3/16 angle, flush to edge of frame. Mounting frame to have anchor straps

Hinge: Heavy duty butt hinges, welded to door and frame

Standard Latch: Detention type deadbolt lock with paracentric key

Optional Latches/Locks: Tamperproof security cam latches, cylinder lock and key. When master keying is required, doors can be prepared for rim or mortise cylinder locks

Finish: 5 stage iron phosphate preparation with prime coat of White alkyd baked-on enamel. Stainless Steel: #4 satin polish

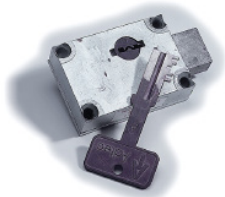


SD-6000 STANDARD SIZES

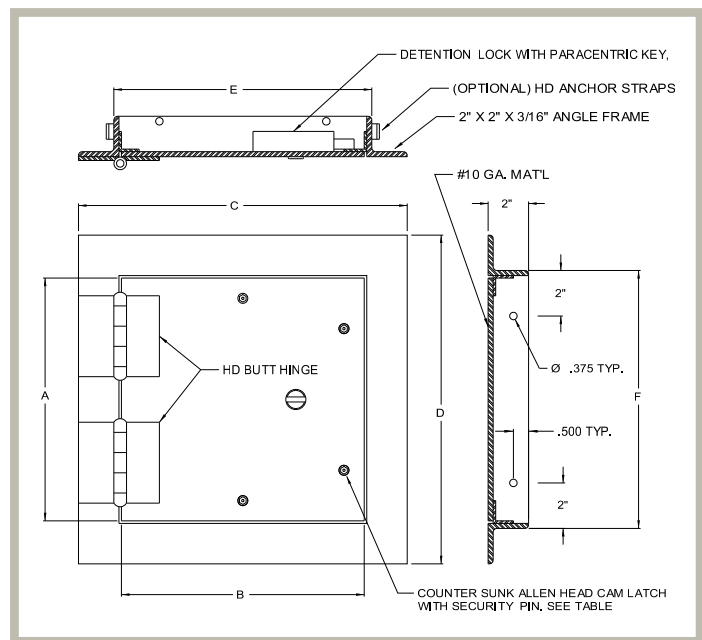
(other sizes available upon request)

Nominal Door Size W&H		Weight per Door	
inches	mm	lbs.	kg.
12 x 12	305 x 305	23	10.3
16 x 16	406 x 406	30	13.7
18 x 18	457 x 457	34	15.6
24 x 24	610 x 610	49	22.3
24 x 36	610 x 914	65	29.5
36 x 36	914 x 914	87	39.4

Wall or ceiling opening is W + 3/8" (9 mm)
For detailed specifications see submittal sheet



Detention Lock with Paracentric Key



This document contains proprietary information which is the property of Acudor Products. It shall not be modified, copied, furnished, nor distributed (in whole or in part) without proper authorization. Copyright © 2020 Acudor Products.