



RD-5090 PRODUCT INFORMATION

RD-5090

DUCT DOORS for round ducts

Application

- Economical access to round ducts

Product Features

- Pull and catch lock system
- Gasketing on the door assures a tight seal without obstruction in the air system

RD-5090 Duct Access Door Specifications:

Door / Door Frame: 16 gauge galvanized steel

Gasketing: 1/8" thick by 1" wide closed cell neoprene

Standard Latch: Plated steel pull and catch

Finish: Mill / Aluminum



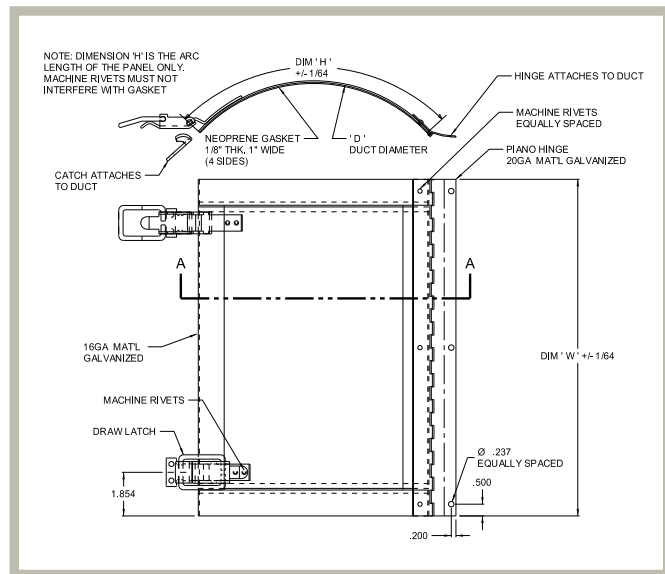
RD-5090 STANDARD SIZES

(other sizes available upon request)

| Nominal Door Size W&H | | Opening | Weight per Door | |
|-----------------------|-----------|---------|-----------------|-----|
| Inches | mm | | lbs. | kg. |
| 7 x 5 | 175 x 125 | 4" | 1.25 | 0.6 |
| 7 x 5 | 175 x 125 | 6" | 1.25 | 0.6 |
| 9 x 8 | 225 x 200 | 8" | 1.75 | 0.8 |
| 11 x 9 | 275 x 225 | 10" | 3.0 | 1.2 |
| 13 x 10 | 325 x 250 | 12" | 3.5 | 1.6 |
| 15 x 13 | 375 x 325 | 14" | 3.9 | 1.8 |
| 17 x 13 | 425 x 325 | 16" | 5.25 | 2.5 |
| 19 x 15 | 475 x 375 | 18" | 6.0 | 2.7 |
| 19 x 17 | 475 x 425 | 20" | 6.75 | 3.1 |
| 20 x 17 | 500 x 425 | 24" | 7.25 | 3.3 |

Duct opening is normal door size plus +3/8" (9mm)

For detailed specifications see submittal sheet



This document contains proprietary information which is the property of Acudor Products. It shall not be modified, copied, furnished, nor distributed (in whole or in part) without proper authorization. Copyright © 2020 Acudor Products.