



MS-7000

SECURITY DOORS for Medium Security

Application

- For use in medium security jails, prisons, psychiatric institutions, etc.
- Medium duty security access door

Product Features

- 12 Gauge door and frame
- A one piece trim flange and continuous concealed hinge
- Door panel features rounded safety corners

MS-7000 Access Door Specifications:

Material: Steel or Stainless Steel

Door / Mounting Frame: 12 gauge door and mounting frame

Flush to frame with rounded corners and reinforced panel

One piece outer flange welded to mounting frame

Hinge: Continuous, concealed

Standard Latch: Tamper resistant allen head cam latch with security pin

Optional Latches/Locks: Spanner head cam latch, cylinder lock & key. When master keying is required, doors can be prepared for rim or mortise cylinder locks

Finish: 5 stage iron phosphate preparation with prime coat of White alkyd baking enamel. Stainless Steel: Type 304 #4 satin polish.

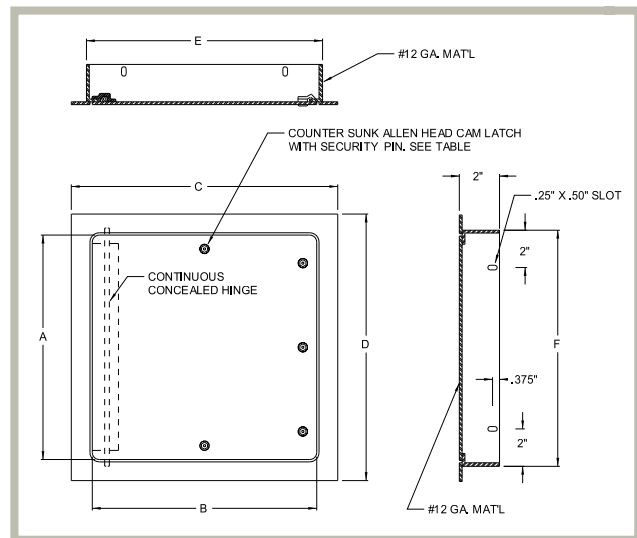


MS-7000 STANDARD SIZES

(other sizes available upon request)

Nominal Door Size W&H		Weight per Door	
inches	mm	lbs.	kg.
12 x 12	305 x 305	10	4.5
16 x 16	406 x 406	15	7.0
18 x 18	457 x 457	18	8.3
24 x 24	610 x 610	29	13.2
24 x 36	610 x 914	40	18.3
36 x 36	914 x 914	61	27.4

Wall or ceiling opening is $W + 3/8"$ (9 mm)
For detailed specifications see submittal sheet



This document contains proprietary information which is the property of Acudor Products. It shall not be modified, copied, furnished, nor distributed (in whole or in part) without proper authorization. Copyright © 2020 Acudor Products.