



HDSS-6020

Self Stick Duct Doors, *for Sheet Metal Duct*

Application

- Provides easy access to sheet metal ducts

Product Features

- Innovative self stick frame for easy installation
- Insulated door panel, single cam, hinged
- Tested to 10" SP with minimal leakage

Options:

- ALUMINUM
- STAINLESS STEEL
- CYLINDER LOCK & KEY
- HASP + STAPLE
- L HANDLE

HDSS-6020 Duct Access Door Specifications:

Door: 24 gauge galvanized steel, double panel

Frame: 24 gauge galvanized steel

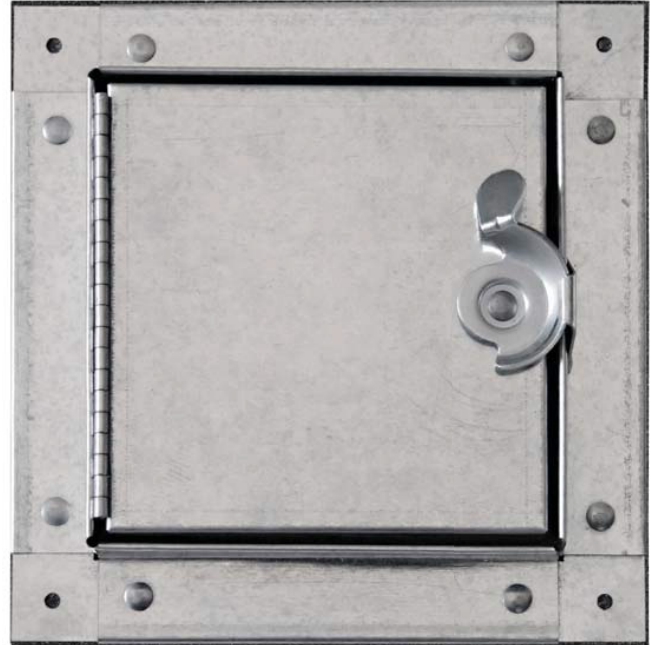
Hinge: Continuous aluminum piano hinge

Insulation: Door panel filled with 1" fiberglass insulation

Gasketing: 1/8" thick by 1/2" wide closed cell neoprene gasketing between door and frame. 1/8" thick by 1 1/2" wide adhesive bonded gasket between frame to duct

Latch: Self tightening, hand operated cam latches

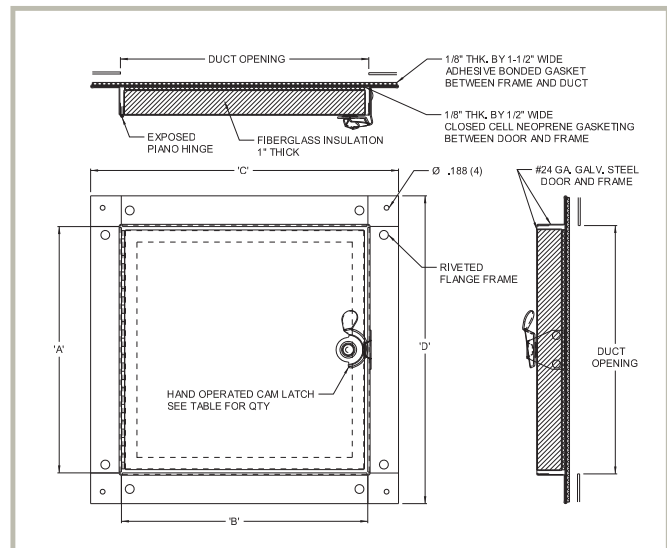
Hardware: Hex head sheet metal screws



STANDARD SIZES (other sizes available upon request)

Nominal Door Size W&H Weight per Door

Inches	mm	Duct Opening	Latches	lbs.	kg.
6 X 6	152 X 152	4.5 X 4.5	2	1.5	0.7
8 X 8	203 X 203	6.5 X 6.5	2	2.2	1.0
10 X 10	254 X 254	8.5 X 8.5	2	3.0	1.3
12 X 12	305 X 305	10.5 X 10.5	2	3.8	1.7
14 X 14	356 X 356	12.5 X 12.5	4	4.9	2.2
16 X 16	406 X 406	14.5 X 14.5	4	6.0	2.7
18 X 18	457 X 457	16.5 X 16.5	4	7.0	3.2
20 X 20	508 X 508	18.5 X 18.5	4	9.1	4.1
24 X 24	610 X 610	22.5 X 22.5	4	11.6	5.3



This document contains proprietary information which is the property of Acudor Products. It shall not be modified, copied, furnished, nor distributed (in whole or in part) without proper authorization. Copyright © 2020 Acudor Products.