



CD-5080-HP

DUCT DOOR for High Pressure Ducts

Application

- Economical access to high pressure duct

Product Features

- These doors are for use in high pressure ducts up to 8" static pressure. Pressure rated to 8"W.G. with leakage no greater than 2 CFM per sq. ft. or less.
- 5/8" notched knock over tabs on the inside of the frame provide for easy installation

Options:

- Aluminum, stainless steel

CD-5080HP Duct Access Door Specifications:

Material: Galvanized steel

Door: 24 gauge, double panel with high temperature glue.

Mounting Frame: 24 gauge with 5/8" notched knock over tabs.

Gasketing: 1/4" thick by 1/2" wide closed cell neoprene gasketing between door and frame. 1/8" thick by 1/2" wide closed cell neoprene gasketing between frame and duct

Insulation: Door panel filled with 3" fiberglass insulation (7.7 R factor), compressed into 1".

Latch: Self tightening, hand operated cam latch



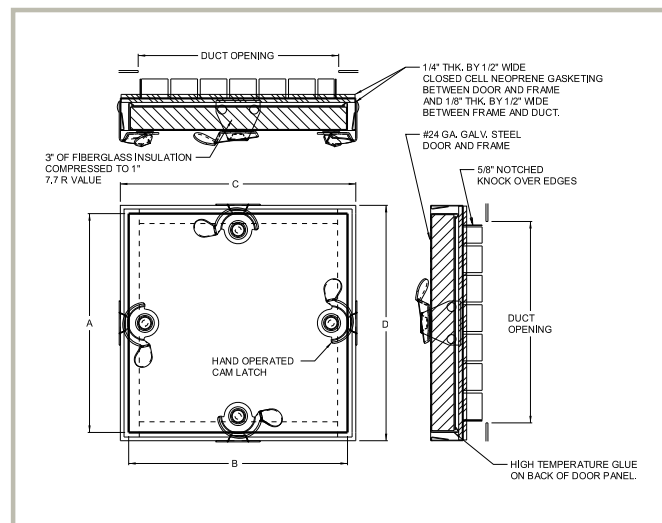
CD-5080-HP STANDARD SIZES

(other sizes available upon request)

Nominal Door Size W&H		Opening	Weight per Door	
Inches	mm		Lbs.	kg.
6 x 6	152 x 152	4.75" x 4.75"	1.25	0.6
8 x 8	203 x 203	6.75" x 6.75"	1.75	0.8
10 x 10	254 x 254	8.75" x 8.75"	2.30	1.0
12 x 12	304 x 304	10.75" x 10.75"	3.10	1.4
14 x 14	356 x 356	12.75" x 12.75"	4.20	1.9
16 x 16	406 x 406	14.75" x 14.75"	5.20	2.4
18 x 18	457 x 457	16.75" x 16.75"	6.20	2.8
20 x 20	508 x 508	18.75" x 18.75"	9.00	4.1
24 x 24	610 x 610	22.75" x 22.75"	10.50	4.8

Duct opening is normal door size - 1 1/4" or (31 mm)

For detailed specifications see submittal sheet



This document contains proprietary information which is the property of Acudor Products. It shall not be modified, copied, furnished, nor distributed (in whole or in part) without proper authorization. Copyright © 2020 Acudor Products.