

## SUBMITTAL: AMBASSADOR™ STEEL FIRE EXTINGUISHER CABINETS

The Ambassador Series is a Durable, Attractive Steel Cabinet with Powder-coat Finish that Stands up to Conditions in Commercial Buildings.

**Door & Trim Construction:** Cold-rolled steel with white powder-coated finish standard. Flush cabinet doors with a 5/8" door stop are attached by a continuous hinge and equipped with zinc-plated handle and roller catch. All models have 1-3/4" wide trim on frame and 1-1/4" trim on doors with glazing.

**Trim Style & Depth:** Recessed Flat 3/8" Trim, Semi Recessed - 1-1/4", 1-1/2" Square Edge or 2-1/2", 3", 4", 4-1/2" Rolled edge (4" has flush pull). Surface-mount models have a square edge. See separate submittal for rolled edge surface mount or Trimless Recessed.

**Tub:** The tub is constructed of CRS with white powder-coat finish standard.

**Fire-Rated Option Available:** Yes - See separate Submittal Form.

**STEP 1: SELECT MODEL NUMBER AND QUANTITY ON CHART** (refer to chart on page 2)

- A. Determine Trim Style according to wall depth.
- B. Determine Tub I.D. according to size most suited for extinguisher and wall opening.

**STEP 2: SELECT DOOR STYLE WITH HANDLE**

Check one box below Examples on Page 2

- |  |   |
|--|---|
| <input type="checkbox"/> <b>F</b> Full Glazing in 1-1/4" wide Frame            | <input type="checkbox"/> <b>L22</b> Solid with SAF-T-LOK™                     |
| <input type="checkbox"/> <b>G</b> Full Glazing with SAF-T-LOK™ in 1-1/4" Frame | <input type="checkbox"/> <b>L24</b> Sold with Cylinder Lock - No Handle       |
| <input type="checkbox"/> <b>D</b> Horizontal Duo Panel                         | <input type="checkbox"/> <b>V</b> Vertical Duo                                |
| <input type="checkbox"/> <b>E</b> Horizontal Dual Panel with SAF-T-LOK™        | <input type="checkbox"/> <b>W</b> Vertical Duo with SAF-T-LOK™                |
| <input type="checkbox"/> <b>S21</b> Solid Door                                 | <input type="checkbox"/> <b>B</b> Solid with 2" x 4" View Window & SAF-T-LOK™ |

**STEP 3: SELECT DOOR GLAZING**

(Check one box below)

- |  |   |   |
|--|---|---|
| <input type="checkbox"/> <b>10</b> Clear Acrylic               | <input type="checkbox"/> <b>15</b> Bronze Acrylic | <input type="checkbox"/> <b>17</b> Clear Tempered Glass   |
| <input type="checkbox"/> <b>13</b> Wire Glass with Safety Film | <input type="checkbox"/> <b>16</b> Gray Acrylic   | <input type="checkbox"/> <b>18</b> Laminated Safety Glass |

**STEP 4: OPTIONAL FEATURES AT ADDED COST (SELECT ANY)**

- |   |   |  |  |
|---|---|--|--|
| <input type="checkbox"/> Optional Tub Color: ___ Black ___ Red                    | <input type="checkbox"/> Black Vertical FE Letters <b>LDCVBFE</b>   | <input type="checkbox"/> Black Vertical Decal <b>LDVBFE</b>              | <a href="#">BIM Objects for REVIT®</a> |
| <input type="checkbox"/> Futura "Fire" Pull ___ Mill Alum ___ Red ___ White       | <input type="checkbox"/> Red Vertical FE Letters <b>LDCVRFE</b>     | <input type="checkbox"/> Red Vertical Decal <b>LDVRFE</b>                |  |
| <input type="checkbox"/> Flush Pull Handle ( <b>PRH</b> )                         | <input type="checkbox"/> White Vertical FE Letters <b>LDCVWFE</b>   | <input type="checkbox"/> White Vertical Decal <b>LDVWFE</b>              |  |
| <input type="checkbox"/> Polished Chrome Handle ( <b>PUCH</b> )                   | <input type="checkbox"/> Black Horizontal FE Letters <b>LDCHBFE</b> | <input type="checkbox"/> Black Horizontal Decal <b>LDHBFE</b>            |  |
| <input type="checkbox"/> <b>Optional Colors:</b> ___ Red ___ Black ___ Flat Black | <input type="checkbox"/> Red Horizontal FE Letters <b>LDCHRFE</b>   | <input type="checkbox"/> Red Horizontal Decal <b>LDHRFE</b>              |  |
| ___ Sand ___ AMS Beige ___ SC Flat Beige  | <input type="checkbox"/> White Horizontal FE Letters <b>LDCHWFE</b> | <input type="checkbox"/> White Horizontal Decal <b>LDHWFE</b>            |  |
| ___ Gray ___ Bronze ___ Silver  |   |  |  |
|   |   | <input type="checkbox"/> <b>(CA)</b> Commander Alarm                     |  |
|   |   | <input type="checkbox"/> <b>(BA)</b> Brigadier Alarm                     |  |
|   |   | <input type="checkbox"/> <b>(SA)</b> Strobe Alarm (Surface Mount Models) |  |
- Etched/Engraved Lettering in Glass or Metal- Attach Sub.
- (MC)** Magnetic Catch—Replaces Roller Catch
- Optional Lock for G, E, W, L22, B—Desc: \_\_\_\_\_

For More Information on Options See Other Submittals: [Handles & Levers](#), [Decals/Die Cuts & Wall Signs](#), [More Alarm Information](#)



**1012W10A**  
4" Rolled Trim with  
Flush Pull Standard



**1017V10**  
3" Rolled Trim  
Semi-Recessed

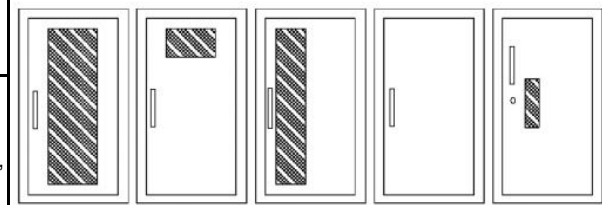
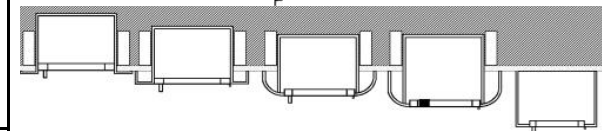
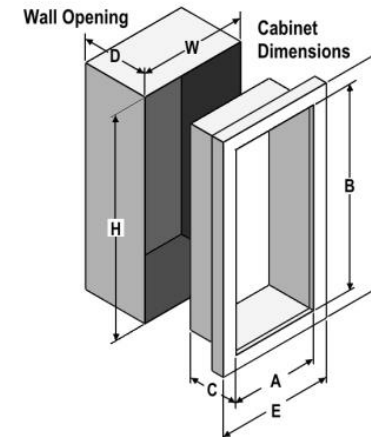


**1816F10**  
1-1/2" Square Trim  
Semi-Recessed

|   |              |              |
|---|--------------|--------------|
| <b>JL INDUSTRIES</b>                            | Distributor: | Quantity:    |
|   | Contractor:  | Approved By: |
|   | Model #:     | Architect:   |
|   | Project:     | Date:        |
| © 2023 Activar Construction Products Group, Inc |              |              |
| 2/20/2023                                       |              |              |

## SUBMITTAL: AMBASSADOR STEEL FIRE EXTINGUISHER CABINETS

| TRIM & DOOR SERIES # |             |                        | Tub I.D. |         |       | Frame O.D. |        |        | Wall Opening |       |  | Fits Extinguisher |
|----------------------|-------------|------------------------|----------|---------|-------|------------|--------|--------|--------------|-------|--|-------------------|
| QTY                  | Model       | Trim Style             | A        | B       | C     | E          | F      | W      | H            | D     |  |                   |
|                      | <b>8115</b> | Flat 3/8" Trim ●       | 9        | 18      | 5 1/2 | 12 3/8     | 21 3/8 | 10     | 19           | 5 3/8 | Cosmic & Galaxy<br>2 1/2-6 (6 lb must be mounted to tub wall),<br>Mercury 2 1/2- 5   |                   |
|                      | <b>8116</b> | 1 1/2" Square ●        | 9        | 18      | 5 1/2 | 12 3/8     | 21 3/8 | 10     | 19           | 4 1/8 |  |                   |
|                      | <b>8117</b> | 2-1/2" Rolled ●        | 9        | 18      | 5 1/2 | 12 3/8     | 21 3/8 | 10     | 19           | 3 1/8 |  |                   |
|                      | <b>8113</b> | Surf. Mtd Sq           | 12 3/16  | 21 3/16 | 6     | 12 3/8     | 21 3/8 | --     | --           | --    | Cosmic/Galx/Merc 2-5   |                   |
|                      | <b>1710</b> | 2-1/4" Square ●        | 10 1/2   | 24      | 5     | 13 7/8     | 27 3/8 | 11 1/2 | 25           | 3     |  |                   |
|                      | <b>1815</b> | Flat 3/8" Trim ●       | 10 1/2   | 24      | 5 1/2 | 13 7/8     | 27 3/8 | 11 1/2 | 25           | 5 3/8 | Cosmic & Galaxy<br>2 1/2-6 (6 lb must be mounted to tub wall)<br>Mercury 2 1/2-5   |                   |
|                      | <b>1816</b> | 1 1/2" Square ●        | 10 1/2   | 24      | 5 1/2 | 13 7/8     | 27 3/8 | 11 1/2 | 25           | 4 1/8 |  |                   |
|                      | <b>1817</b> | 3" Rolled ●            | 10 1/2   | 24      | 5 1/2 | 13 7/8     | 27 3/8 | 11 1/2 | 25           | 2 5/8 |  |                   |
|                      | <b>1812</b> | 4" Rolled/Flush Pull ● | 10 1/2   | 24      | 5 1/2 | 13 7/8     | 27 3/8 | 11 1/2 | 25           | 1 7/8 |  |                   |
|                      | <b>1818</b> | 4 1/2" Rolled          | 10 1/2   | 24      | 5 1/2 | 13 7/8     | 27 3/8 | 11 1/2 | 25           | 1 1/8 |  |                   |
|                      | <b>1015</b> | Flat 3/8" Trim ●       | 10 1/2   | 24      | 6     | 13 7/8     | 27 3/8 | 11 1/2 | 25           | 5 7/8 | Cosmic & Galaxy<br>2 1/2-10<br>Mercury 2 1/2-5,<br>Sentinel 5  |                   |
|                      | <b>1016</b> | 1 1/2" Square ●        | 10 1/2   | 24      | 6     | 13 7/8     | 27 3/8 | 11 1/2 | 25           | 4 5/8 |  |                   |
|                      | <b>1017</b> | 3" Rolled ●            | 10 1/2   | 24      | 6     | 13 7/8     | 27 3/8 | 11 1/2 | 25           | 3 1/8 |  |                   |
|                      | <b>1012</b> | 4" Rolled/Flush Pull ● | 10 1/2   | 24      | 6     | 13 7/8     | 27 3/8 | 11 1/2 | 25           | 2 3/8 |  |                   |
|                      | <b>1018</b> | 4 1/2" Rolled          | 10 1/2   | 24      | 6     | 13 7/8     | 27 3/8 | 11 1/2 | 25           | 1 5/8 |  |                   |
|                      | <b>1013</b> | Surf Mtd. Sq           | 13 11/16 | 27 3/16 | 6 1/2 | 13 7/8     | 27 3/8 | --     | --           | --    |  |                   |
|                      | <b>2015</b> | Flat 3/8" Trim ●       | 12       | 27      | 7 3/4 | 15 3/8     | 30 3/8 | 13     | 28           | 7 5/8 | Any Cosmic or Galaxy<br>(20 lb must be mounted to back of tub),<br>Mercury, Saturn or Grenadier P,<br>Sentinel 5 & 10,<br>Nebula 270 |                   |
|                      | <b>2016</b> | 1 1/4" Square ●        | 12       | 27      | 7 3/4 | 15 3/8     | 30 3/8 | 13     | 28           | 6 5/8 |  |                   |
|                      | <b>2017</b> | 2 1/2" Rolled ●        | 12       | 27      | 7 3/4 | 15 3/8     | 30 3/8 | 13     | 28           | 5 3/8 |  |                   |
|                      | <b>2012</b> | 4" Rolled/Flush Pull ● | 12       | 27      | 7 3/4 | 15 3/8     | 30 3/8 | 13     | 28           | 4 1/8 |  |                   |
|                      | <b>2018</b> | 4 1/2" Rolled          | 12       | 27      | 7 3/4 | 15 3/8     | 30 3/8 | 13     | 28           | 3 3/8 |  |                   |
|                      | <b>2013</b> | Surf Mtd. Sq           | 15 3/16  | 30 3/16 | 8 1/4 | 15 3/8     | 30 3/8 | --     | --           | --    |  |                   |
|                      | <b>3015</b> | Flat 3/8" Trim ●       | 16       | 32      | 7 3/4 | 19 3/8     | 35 3/8 | 17     | 33           | 7 5/8 |  |                   |
|                      | <b>3016</b> | 1 1/4" Square ●        | 16       | 32      | 7 3/4 | 19 3/8     | 35 3/8 | 17     | 33           | 6 5/8 |  |                   |
|                      | <b>3017</b> | 2 1/2" Rolled ●        | 16       | 32      | 7 3/4 | 19 3/8     | 35 3/8 | 17     | 33           | 5 3/8 |  |                   |
|                      | <b>3012</b> | 4" Rolled/Flush Pull ● | 16       | 32      | 7 3/4 | 19 3/8     | 35 3/8 | 17     | 33           | 4 1/8 |  |                   |
|                      | <b>3018</b> | 4 1/2" Rolled          | 16       | 32      | 7 3/4 | 19 3/8     | 35 3/8 | 17     | 33           | 3 3/8 |  |                   |
|                      | <b>3013</b> | Surf Mtd. Sq           | 19 3/16  | 35 3/16 | 8 1/4 | 19 3/8     | 35 3/8 | --     | --           | --    |  |                   |
|                      | <b>4015</b> | Flat 3/8" Trim ●       | 20       | 27      | 7 3/4 | 23 3/8     | 30 3/8 | 21     | 28           | 7 5/8 | Two each of: any<br>Cosmic or Galaxy (20<br>lb must be mounted on<br>tub wall), Mercury,<br>Saturn or Grenadier P,<br>Sentinel 5     |                   |
|                      | <b>4016</b> | 1 1/4" Square ●        | 20       | 27      | 7 3/4 | 23 3/8     | 30 3/8 | 21     | 28           | 6 5/8 |  |                   |
|                      | <b>4017</b> | 2 1/2" Rolled ●        | 20       | 27      | 7 3/4 | 23 3/8     | 30 3/8 | 21     | 28           | 5 3/8 |  |                   |
|                      | <b>4012</b> | 4" Rolled/Flush Pull ● | 20       | 27      | 7 3/4 | 23 3/8     | 30 3/8 | 21     | 28           | 4 1/8 |  |                   |
|                      | <b>4018</b> | 4 1/2" Rolled          | 20       | 27      | 7 3/4 | 23 3/8     | 30 3/8 | 21     | 28           | 3 3/8 |  |                   |
|                      | <b>4013</b> | Surf Mtd. Sq           | 23 3/16  | 30 3/16 | 8 1/4 | 23 3/8     | 30 3/8 | --     | --           | --    |  |                   |



- F - Full glass with pull handle
- G - Full glass with pull handle above Saf-T-Lok (Not Shown)
- D - Horizontal duo panel with pull handle
- E - Horizontal duo panel with pull handle above Saf-T-Lok. (Not Shown)
- V - Vertical duo panel with pull handle
- W - Vertical duo panel with pull handle above Saf-T-Lok. (Not Shown)
- S21 - Solid with pull handle
- L22 - Solid with pull handle above Saf-T-Lok
- L24 - Solid with cylinder key lock and no handle (Not Shown)
- B - Small view window with pull handle, above Saf-T-Lok

**ADA Cabinet Mounting Height:** Standard Pull on G, E, W, L22 and B Door Styles with Saf-T-Lok are 3 5/8" Higher than Door Center, so Allow for that When Mounting Cabinet.  
Standard Pull with No Lock or Flush Pull are Centered on Door.

Models shown in **Large Bold** above are available in several door styles for Quick Shipment. See current Stock List.

- Cabinets that Meet 4" Maximum ADA Projection Requirement