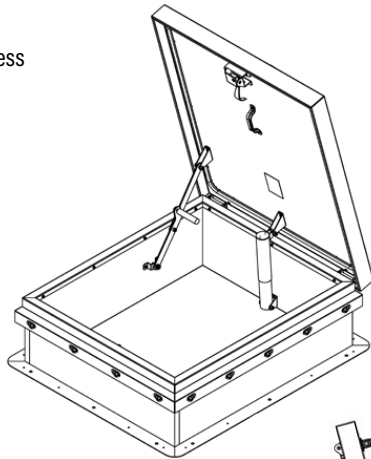
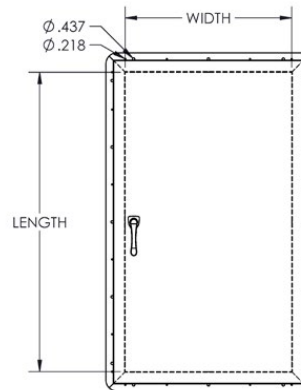
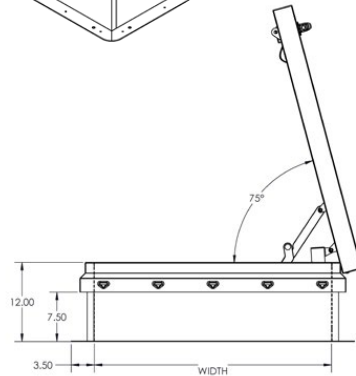
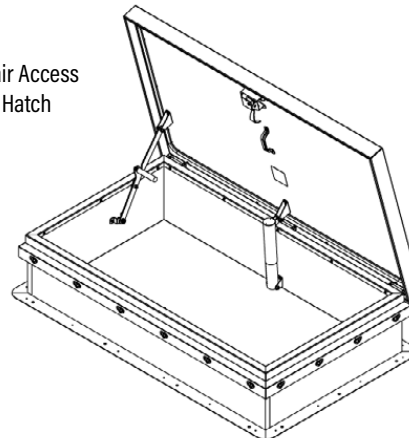


ROOF HATCH- Diamond Series™ RHDG Steel

Ladder Access Hatch



Stair Access Hatch



ADDITIONAL FEATURES:

- ___ Gray Textured Finish (GT)
- ___ Red Textured Finish (RT)
- ___ Bronze Textured Finish (BT)
- ___ Steel Curb, Aluminum Cover (AL)
- ___ R-9, 1.5" Polyiso Curb (IP)
- ___ R-12, 2" Polyiso Curb (IT)
- ___ 3/4" Wood Nailers (IW)
- ___ 1" Fiberboard (IF)
- ___ Curb Double Wall (CD)
- ___ Curb Heights from 13" to 22" (H13-H22)
- ___ Stainless 316 Hinge Pin (SP)
- ___ Stainless Hardware (SS)

SPECIFICATIONS:

Curb: Single wall curb and counterflashing with Diamond Grip to secure roof membrane without tools.

- 14 gauge galvanized steel, white textured powder coat paint

Cover: Formed and welded with liner, tested to support a live load of 40psf.

- 14 gauge with 22 gauge liner galvanized steel, white textured powder coat paint

Gasket: Continuous, weatherproof EPDM sponge rubber adhesive-backed seal.

Insulation: 1" polyisocyanurate in curb and cover with thermal resistance R-6.

Spring: Counterbalanced compression springs contained in clear zinc-plated steel cylinders.

Latch: Clear zinc-plated steel slam latch with inside and outside handles and padlock hasps. Tested to 50psf wind uplift.

Hold Open Arm: Clear zinc-plated automatic locking hold open arm with red vinyl grip for one handed door operation.

Hinge: Heavy duty clear zinc-plated steel pintle hinge.

Sizes: Min Size: 24" X 24" | Max Size: 48" x 72", 36" x 96" See the Dur-Red RHU Series for larger sizes.

Notes: For pitched roofs up to 7:12, mount hinge side parallel to slope. Door opens 75°.

Diamond Series™ is a trademark of Activar Construction Products Group, Inc.

QTY	SIZE W x L	ALUMINUM	TYPE
	36" x 30"	RHDG-1WT	LADDER
	30" x 54"	RHDG-2WT	STAIR
	30" x 96"	RHDG-3WT	STAIR
	36" x 36"	RHDG-4WT	LADDER
	48" x 48"	RHDG-5WT	LADDER
	32" x 72"	RHDG-6WT	STAIR
	37" x 30"	RHDG-7WT	LADDER
	Custom Size		

Custom sizes available - enter size above



JL INDUSTRIES

Distributor:		Project:	
Contractor:		Approved By:	
Date:		Architect:	
Scale: N/A	Pages: 1 of 1	Item #:	

© 2022 Activar Construction Products Group, Inc.

THE INFORMATION CONTAINED IN THIS DRAWING IS THE SOLE PROPERTY OF ACTIVAR CONSTRUCTION PRODUCTS GROUP, INC. ANY REPRODUCTION IN PART OR AS A WHOLE WITHOUT THE WRITTEN PERMISSION OF ACTIVAR CONSTRUCTION PRODUCTS GROUP, INC. IS PROHIBITED.

REV C - APRIL 20 2022