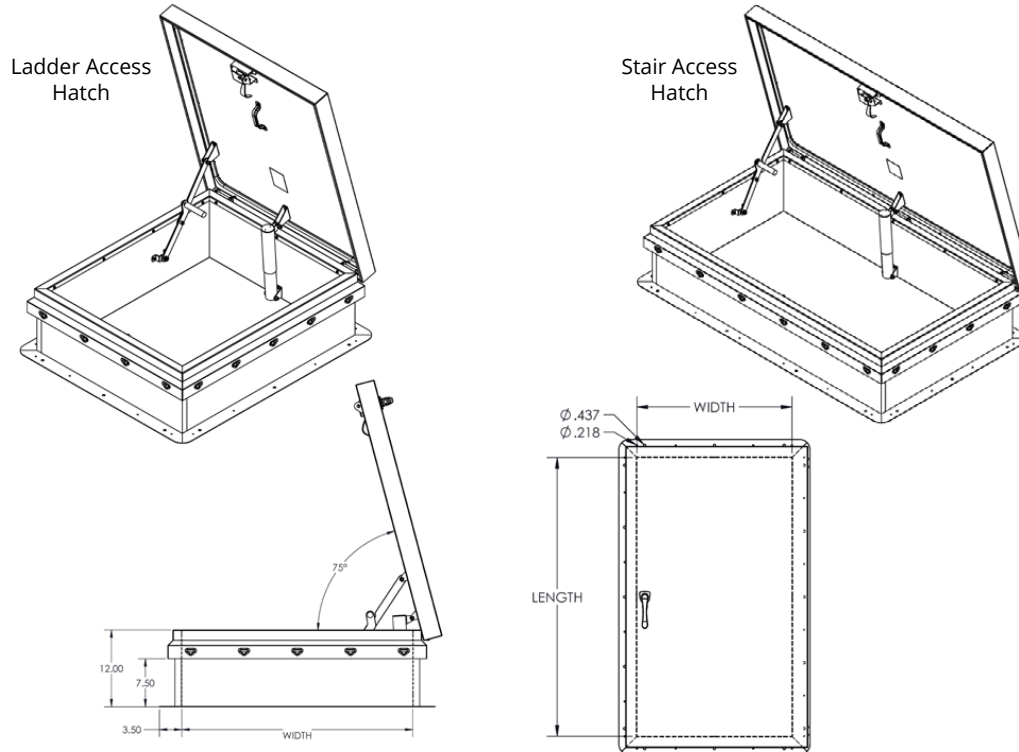


ROOF HATCH - DIAMOND SERIES™ - RHDG STEEL

The Diamond Series Roof Hatch in galvanized steel is designed for safe and easy roof access with R-6 insulation to reduce building energy costs. Our unique, patented "Diamond Grip®" simplifies installation by securing the roof membrane without tools.



ADDITIONAL FEATURES:

- ___ Gray Textured Finish (GT)
- ___ Red Textured Finish (RT)
- ___ Bronze Textured Finish (BT)
- ___ Steel Curb, Aluminum Cover (GA)
- ___ R-9, 1.5" Polyiso Curb (IP)
- ___ R-12, 2" Polyiso Curb (IT)
- ___ 3/4" Wood Nailers (IW)
- ___ 1" Fiberboard (IF)
- ___ Curb Double Wall (CD)
- ___ Curb Heights from 13" to 22" (H13-H22)
- ___ Stainless 316 Hinge Pin (SP)
- ___ Stainless Hardware (SS)

It is the responsibility of the customer to communicate specifications and product performance requirements that are needed for their application. This document is intended to convey potential product configurations and offerings. It is not to be used to imply or represent a specification or rating, of finished products shipped. Detailed, specific submittals can be created upon request. It is the responsibility of the customer to specify product accordingly to comply with local laws, codes, and ordinances.

SPECIFICATIONS:

Material:

Curb: 14 gauge galvanized steel. Single wall curb and counterflashing with Diamond Grip secure roof membrane without tools.

Cover: 14 gauge with 22 gauge liner galvanized steel. Formed and welded with liner, tested to support a live load of 40psf.

Finish: White textured powder coat paint

Gasket: Continuous, weatherproof EPDM sponge rubber adhesive-backed seal.

Insulation: 1" polyisocyanurate in curb and cover with thermal resistance R-6.

Hinge: Heavy duty clear zinc-plated steel pintle hinge.

Hold Open Arm: Clear zinc-plated automatic locking hold open arm with red vinyl grip for one handed door operation

Latch: Clear zinc-plated steel slam latch with inside and outside handles and padlock hasps. Tested to 50psf wind uplift.

Spring: Counterbalanced compression springs contained in clear zinc-plated steel cylinders.

Sizes:

Min Size: 24" X 24"

Max Size: 48" x 72", 36 x 96"

See the Dur-Red RHU Series for larger sizes.

Notes: For pitched roofs up to 7:12, mount hinge side parallel to slope. Door opens 75°.

Diamond Series™ is a trademark of Activar Construction Products Group, Inc.

QTY	SIZE W x L	STEEL	TYPE
	36" x 30"	RHDG-1WT	LADDER
	30" x 54"	RHDG-2WT	STAIR
	30" x 96"	RHDG-3WT	STAIR
	36" x 36"	RHDG-4WT	LADDER
	48" x 48"	RHDG-5WT	LADDER
	32" x 72"	RHDG-6WT	STAIR
	37" x 30"	RHDG-7WT	LADDER
		Custom Size	

Custom sizes available - enter size above



JL INDUSTRIES

9702 Newton Avenue S, Bloomington, MN 55431

© 2023 Activar Construction Products Group, Inc.

Distributor:		Project:
Contractor:		Approved By:
Date:		Architect:
Scale: N/A	Pages: 1 of 1	Item #:

THE INFORMATION CONTAINED IN THIS DRAWING IS THE SOLE PROPERTY OF ACTIVAR CONSTRUCTION PRODUCTS GROUP, INC. ANY REPRODUCTION IN PART OR AS A WHOLE WITHOUT WRITTEN PERMISSION IS PROHIBITED.

12-04-23