

SUBMITTAL: CLEAR VU FIRE-FX2™ FIRE-RATED FIRE EXTINGUISHER CABINETS

Door and Trim Construction: US10 satin bronze, US3 polished brass, clear anodized aluminum, #4 stainless steel or CRS with white powder coat finish. Flush cabinet doors with a 5/8" door stop are attached by a continuous hinge and equipped with zinc-plated handle and roller catch.

Bubble: Acrylic bubble allows 180° extinguisher visibility. 2 1/2" projection for 1500 series, 3 1/2" projection for 2500 series.

Trim Style and Depth: Recessed - 3/8" flat trim, Semi-Recessed - 1 1/4", 1 1/2" Square Edge or 2 1/2", 3", Rolled Edge. All models have 1-3/4" wide trim on frame and 1-1/4" trim on doors.

Tub: Constructed of cold rolled steel with white powder-coat finish standard. Non-steel surface-mount cabinet tubs constructed of same material as trim. Fire-resistant material is attached to the exterior of the tub.



1517F25FX2

1537G25/AFX2

Fire Rating: Fire-FX2™ cabinets are UL listed and labeled as an approved membrane penetration firestop system for up to 2 hours in accordance with UL 1479 (ASTM-E814) and CAN/ULC-S115, when properly installed in a wall assembly according to installation instructions.

STEP 1: SELECT MODEL NUMBER, MATERIAL AND QUANTITY ON CHART (refer to chart below)

A. Determine Trim Style according to wall depth.

STEP 2: SELECT 1 DOOR STYLE F or G & 1 GLAZING STYLE

- F Full Acrylic Glazing
- G Full Acrylic Glazing & Saf-t-Lok™
- 25 Clear Acrylic Bubble
- 26 Red Acrylic Bubble for 15xx Models Only
- 27 Bronze Acrylic Bubble

STEP 3: OPTIONAL FEATURES AT ADDED COST (SELECT ANY)

- Black Vertical FE Letters LDCVBFE
- Red Vertical FE Letters LDCVRFE
- White Vertical FE Letters LDCVWFE
- Futura Embossed "Fire" Handle in ___ Mill ___ White ___ Red
- Stainless Steel Tub #4 Satin Finish (Stainless Models)
- Custom Stainless Finishes # 6, #7, #8 View Online
- Bronze: ___ US9 Bright Polished, ___ US10B Oil-rubbed Finishes
- Brass: US4 Satin Brass Finish View Bronze & Brass Finishes Online
- Dark Bronze Anodized Aluminum Finish (pull to match) Pt # changes from "2" to "9"
- Commander Alarm CA
- Optional Color Door/Trim/Tub View Cabinet Colors Online

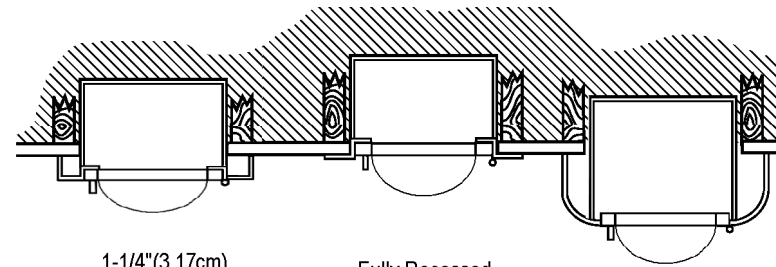
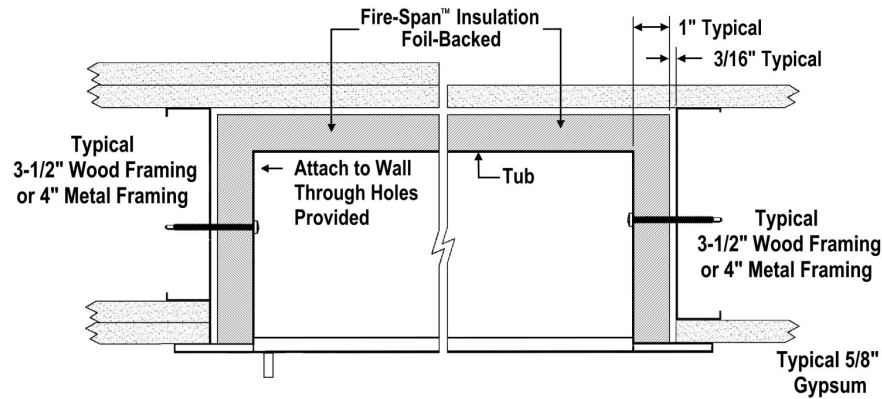
Door Material and Series						Tub ID			Frame OD		FX Wall Opening			Accommodates Following Extinguishers Mounted on the Tub	
Steel	Aluminum	Stainless Steel	Bronze US10	Brass US3	Trim Style	A	B	C	E	F	W	H	D		
	1515	1525	1535	1545	1555	Flat trim	10 1/2	24	4	13 7/8	27 3/8	12 13/16	26 5/16	4 15/16	Cosmic & Galaxy 2.5-10, Mercury 2.5-5, Sentinel 5
	1516	1526	1536	1546	1556	1 1/2" Square	10 1/2	24	4	13 7/8	27 3/8	12 13/16	26 5/16	3 11/16	
	1517	1527	1537	1547	1557	3" Rolled	10 1/2	24	4	13 7/8	27 3/8	12 13/16	26 5/16	2 3/16	
	2515	2525	2535	2545	2555	Flat trim	14	30	4	17 3/8	33 3/8	16 5/16	32 5/16	4 15/16	Cosmic & Galaxy 2.5-10, Cosmic FE20A, Mercury 2.5-15 (FM11A & FM15A), Sentinel 5, Saturn 15 & 25, Grenadier P, Nebula 270 & 272
	2516	2526	2536	2546	2556	1 1/4" Square	14	30	4	17 3/8	33 3/8	16 5/16	32 5/16	3 15/16	
	2517	*2527	2537	--	--	2 1/2" Rolled *	14	30	*4	17 3/8	33 3/8	16 5/16	32 5/16	*2 11/16	

*Add 5/8" to wall depth for a cabinet with an aluminum frame. Models indicated in blue meet ADA 4" projection standards.

It is the responsibility of the customer to communicate specifications and product performance requirements that are needed for their application. This document is intended to convey potential product configurations and offerings. It is not to be used to imply or represent a specification or rating, of finished products shipped. Detailed, specific submittals can be created upon request. It is the responsibility of the customer to specify product accordingly to comply with local laws, codes, and ordinances.

JL INDUSTRIES	Distributor:	Quantity:
	Contractor:	Approved By:
	Model #:	Architect:
	Project:	Date:
© 2023 Activar Construction Products Inc		
5/25/2023		

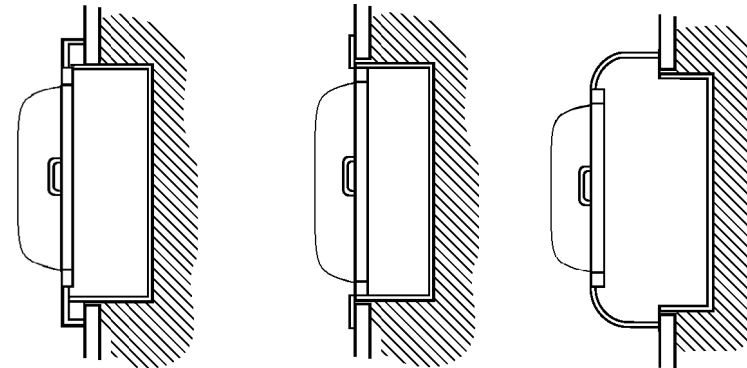
SUBMITTAL: CLEAR VU FIRE-FX FIRE-RATED FIRE EXTINGUISHER CABINETS



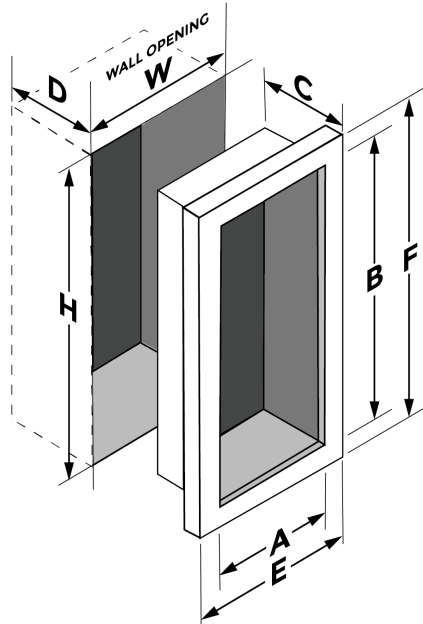
1-1/4" (3.17cm) or 1-1/2" (3.8cm) Return Trim

Fully Recessed 3/8" Flat Trim

3" (7.65cm) or 2-1/2" (6.4cm) Rolled Edge Trim



CABINET DIMENSIONS



1555F27 FX



2515F25FX



2527G25FX



1536F25FX



1545G26FX