

TRIM-TEX™

EXTERIOR SOLUTIONS

WDA/Window Door Arch Drip Edge Submittal Sheet



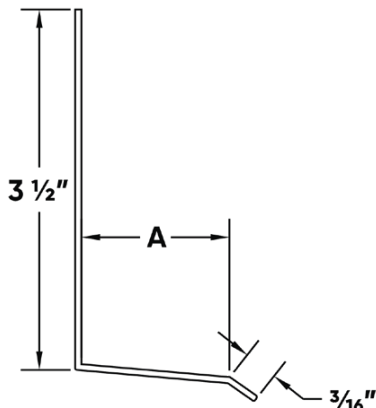
| STOCK NO. | A SIZE | LENGTH | PCS. PER BOX |
|-----------|--------|--------|--------------|
| WDA-15 | 1 1/2" | 10' | 30 |

Description: The Window/Door Arch Drip Edge features a wide flange and angled profile to help direct moisture away from openings like windows and doors. Its pre-slotted nailing flange makes installation fast and easy, especially around arches, so you get solid protection without the extra labor.

Advantages: Made from exterior grade PVC. Provides a high impact resistant, rust-proof termination corner.

Applicable Standards: Rigid exterior grade PVC products made by Trim-Tex meet ASTM specifications C926, C1063, C1780, C1861, D1784 and D4216.

Installation: Trim-Tex recommends following established acceptable industry standard installation methods. All butt joints, intersections, and ends should be caulked at the time of installation using elastomeric sealant. When painting Trim-Tex Exterior products, please refer to our painting resources to ensure proper performance and prevent product defects such as warping, oil canning, and buckling.



Job Name _____
 Contractor _____
 Date _____

Approvals (Signatures or Stamps)