

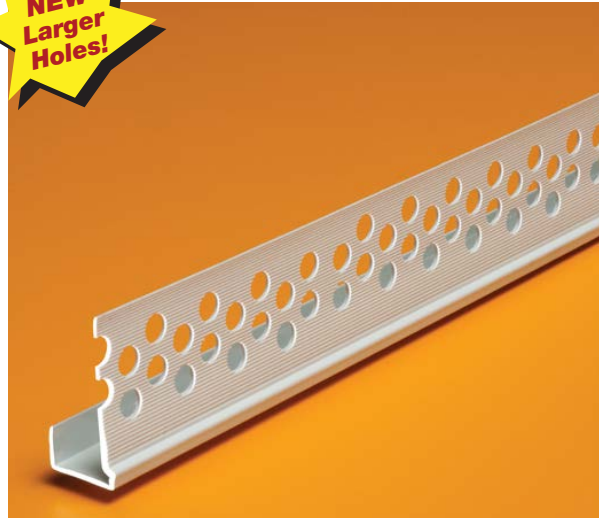
Direct Applied Finishes

Section: 07240

Surface Mounted "J" Bead

Product Number	Dimension A	Dimension/Description	Pieces per Box
2201-38	3/8" (10 mm)	1-1/2" (38 mm) wide perforated and grooved flange.	50
2201-50	1/2" (13 mm)		50
2201-58	5/8" (16 mm)	For exterior applications.	50

10' (3 m) Lengths

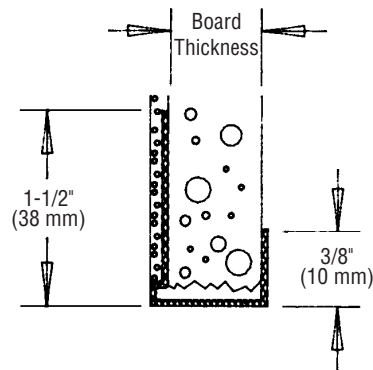


Application:

A surface mounted "J" bead design that protects the bottom edge of the sheathing board and eliminates the need for costly back wrapping. Has a wide return flange with striations and perforations for positive bond of base coat to casing bead and surface of sheathing material. Has built-in 1/8" (3 mm) stop to ensure proper thickness of base and finish.

Specifications:

Surface Mounted "J" Bead shall be Plastic Components Inc. # _____. All exterior accessories shall conform to ASTM standards D1784, C1063 and D4216. They shall be used where specified by the design authority and installed per industry standards.



The base coat mesh should be lapped over the top of the perforated flanges and across all butt joints.



E-23