

# Direct Applied Finishes

Section: 07240

## STARTER TRAC® **NEW!** Splice plates *included*.

Product Number	Description	Dimension A	Pieces Per Box
ST-50	Can be used as STARTER TRAC or casing bead. Front return is 3/4" (19 mm) with striations and perforations for positive bonding of base to foam board. There is no Drip Edge. Ideal for use where finished edge is exposed.	1/2" (13 mm)	35
ST-58	3" (76 mm) wide nailing flange.	5/8" (16 mm)	35

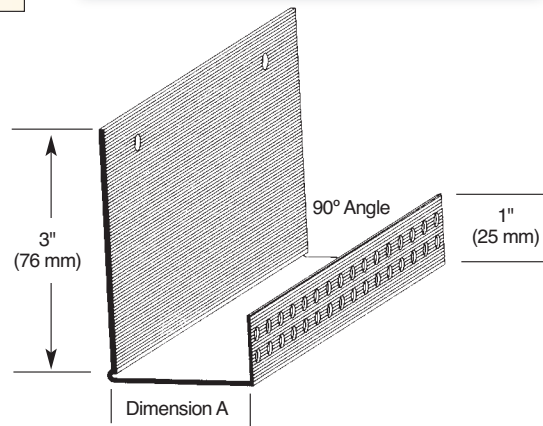
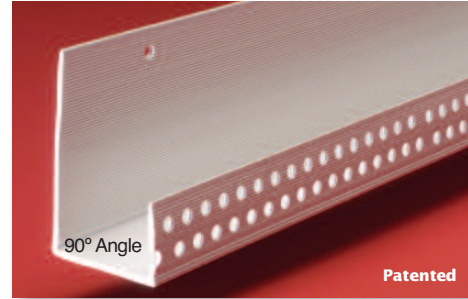
10 (3 m) Lengths

### Application: ST-50/58, STWP-50/58

Can be used as a STARTER TRAC® at the base of a wall or an EIFS Casing Bead around window and door openings. Face return flange is 1" (25 mm) with striations which provide a strong physical bond for the base coat and perforations for bonding the base to the substrate. Available with weep holes. Ideal for use where finished edge is exposed. 3" (76 mm) wide nailing flange also has striations for extra bonding.

### Specification:

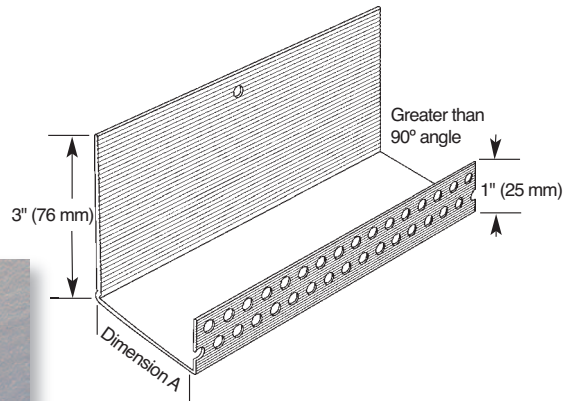
STARTER TRAC® shall be Plastic Components, Inc. # \_\_\_\_\_.  
All exterior accessories shall conform to ASTM standards D1784, C1063 and D4216. They shall be used where specified by the architect and installed per industry standards.



## STARTER TRAC® with Weep Holes

Product Number	Dimension A	Pieces Per Box
STWP-50	1/2" (13 mm)	35
STWP-58	5/8" (16 mm)	35

**NEW!** Splice plates *included*.



The base coat mesh should be lapped over the top of the perforated flanges and across all butt joints.

Caulk all butt joints, intersections and ends.



**PLASTIC PC**™  
**COMPONENTS** inc.