

## ROOF ACCESSORIES - FOLDABLE SERIES - EZ-UP Ladder Post - LP-6

The EZ-Up LP-6 ladder post permanently mounts to the roof hatch and acts as an extension to the ladder to enable users to safely enter and exit a roof access hatch.

### SPECIFICATIONS:

**Material:** 1-1/2" x 1-1/2" x .109" (12 gauge) square steel

**Mounting Plate:** 0.128" (10 gauge) steel plate

**Finish:** Yellow powder coat

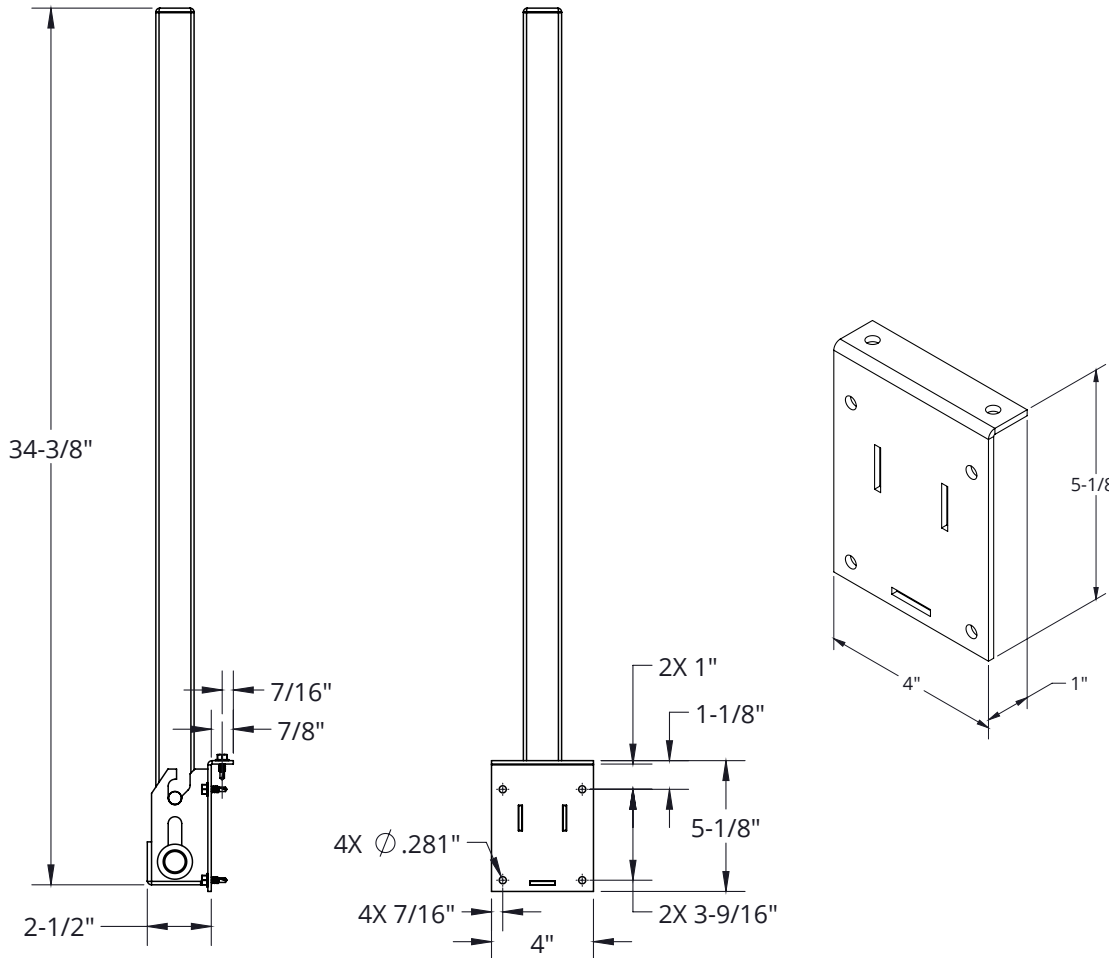
**Weight:** 8 Lbs

**Testing:** 200 lbs design load rating

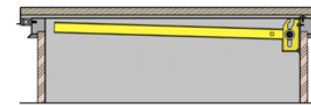
### NOTES:

The ladder post is furnished completely assembled ready to mount on a roof hatch.

QTY	MODEL	TYPE	MATERIAL
	LP-6	Yellow Powder coat	Steel



EZ-UP Ladder Post LP-6  
in raised position



EZ-UP Ladder Post LP-6  
in stowed position

It is the responsibility of the customer to communicate specifications and product performance requirements that are needed for their application. This document is intended to convey potential product configurations and offerings. It is not to be used to imply or represent a specification or rating, of finished products shipped. Detailed, specific submittals can be created upon request. It is the responsibility of the customer to specify product accordingly to comply with local laws, codes, and ordinances.

	<b>Distributor:</b>		<b>Project:</b>
	<b>Contractor:</b>		<b>Approved By:</b>
	<b>Date:</b>		<b>Architect:</b>
	<b>Scale: N/A</b>	<b>Pages: 1 of 1</b>	<b>Item #:</b>