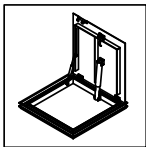




FLOOR ACCESS DOOR
Model KFD-SD
Hinged (Watertight)



DATE

SPECIFICATIONS

GENERAL SCOPE:

Access doors shall be Karp Type KFD as manufactured by Karp Associates, Inc., Melville, N.Y. Sizes shall be as indicated on the drawings.

SPECIFICATIONS:

Access door shall be a watertight door as manufactured by Karp Associates, Inc. Melville, NY. Door lid shall be fabricated with 3/16" aluminum diamond plate designed to support a 300 lb./s.f. live load with a maximum deflection of 1/150th of span. Frame shall be a 4" deep extruded aluminum channel-type frame with a 1/8" neoprene gasket, continuous anchor flange and a 1-1/2" drain coupling welded to the underside. Door shall open 90 degrees and automatically lock in that position with a stainless steel hold open arm with a red vinyl grip. Door lid shall be equipped with a recessed lift handle. Hinges shall be all stainless steel and attached with tamperproof fasteners. All hardware shall be grade 316 stainless steel. Doors shall have a mill finish with a bitumastic coating applied to the exterior of the frame to prevent hydrolysis with concrete. Doors shall be equipped with a stainless steel spring assist which shall provide a smooth and controlled operation when opening and closing door. Operation will not be affected by temperature. Door shall be equipped with a stainless steel slam lock with cover plug and removable handle. Door shall be furnished with a peel-off protective cover to protect finish from concrete splatter. Underside of lid shall have visibility tape applied for safety. Manufacturer shall guarantee material and workmanship for a period of ten years.

Options:

Skirting to depth of slab, fiberglass insulation, safety chains & posts.

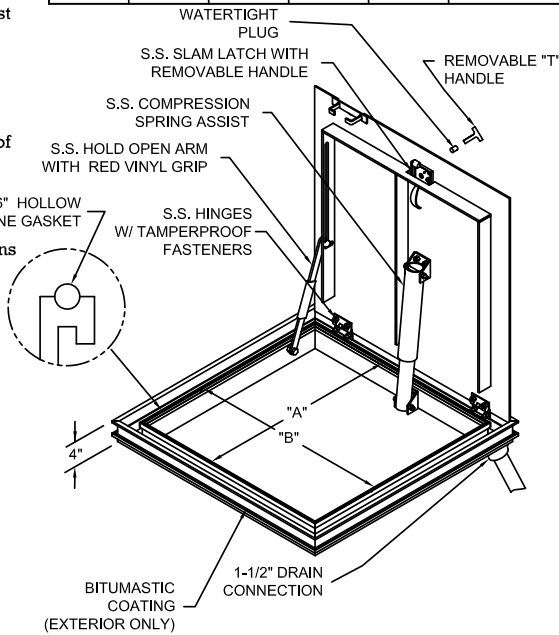
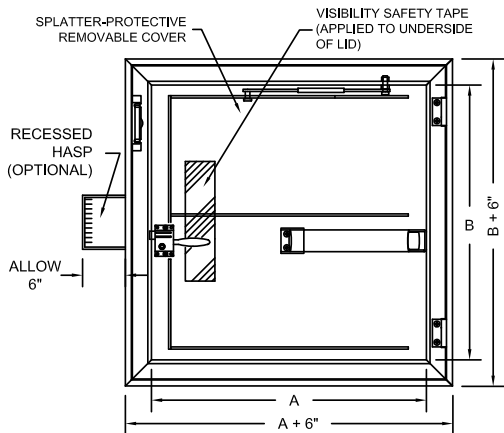
Lock Options:

Staple for padlock, recessed hasp, keyed deadbolt lock, pentahead lock.

STANDARD SIZES

| PROJECT DATA | | | | | |
|-----------------------|--|--|--|--|--|
| Project Name: | | | | | |
| Architect: | | | | | |
| Contractor: | | | | | |
| Agent/Customer Name: | | | | | |
| Tagging Instructions: | | | | | |
| Special Instructions: | | | | | |

| PROJECT SCHEDULE | | | | | |
|------------------|---|---|----------------|--------|---------|
| Qty. | H | W | No. of Latches | Finish | Remarks |
| | | | | | |
| | | | | | |
| | | | | | |
| | | | | | |



| DOOR SIZE H X W (IN.) | SHIP WT. (LBS.) | |
|--------------------------|-----------------|--------|
| | KFD-SD | KFD-HD |
| 24 x 24 | 50.0 | 71.0 |
| 30 x 24 | 56.0 | 81.0 |
| 30 x 30 | 63.0 | 93.0 |
| 36 x 24 | 62.0 | 91.0 |
| 36 x 30 | 70.0 | 105.0 |
| 36 x 36 | 78.0 | 118.0 |
| 48 x 36 | 97.0 | 147.0 |
| 48 x 48 | 118.0 | 181.0 |
| 72 x 48 | 158.0 | 248.0 |



Made with Union Labor