

2022

Drywall Accessories

Section: 09260

"J" Bead

Product Number	Dimensions/Descriptions	Board Thickness	Pieces per Box
200X-25	Drywall "J" Bead has tapered face return. Back flange 1" (25 mm), front return 1/2" (13 mm).	1/4" (6 mm)	75
200X-38		3/8" (10 mm)	50
200X-50		1/2" (13 mm)	50
200X-58		5/8" (16 mm)	50
200X-75		3/4" (19 mm)	50

8' & 10' (2.5 & 3 m) Lengths

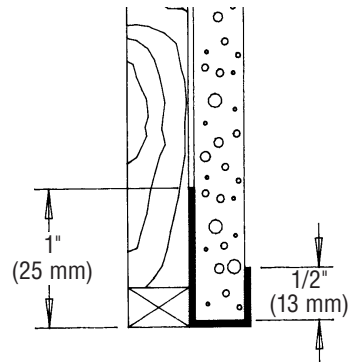


Application:

An edge trim for capping vertical and horizontal edges of raw gypsum board. Protects moisture from weeping into board. Will not rust. Prevents electrolysis.

Specifications:

J Bead shall be Plastic Components Inc. # _____. All drywall accessories shall conform to ASTM standards D3678 and C1047. All products shall be third party tested to meet ASTM standard D4216 and be Canadian Code Compliant. Finish compatible with drywall mud and all paint finishes. They shall be used where specified by the design authority and installed per industry standards.



C-12