

2022

# Stucco and Plaster

Section: 09200

## Inside/Outside Corner Slip Joint/Expansion Joint

Product Number	Ground	Dimensions/Descriptions	Pieces per Box
511-38	3/8" (10 mm)	Slip joint reveal adjusts from 3/4" to 1" (19 mm to 25 mm)	15
511-50	1/2" (13 mm)		15
511-58	5/8" (16 mm)		15
511-75	3/4" (19 mm)		15
511-78	7/8" (22 mm)		12

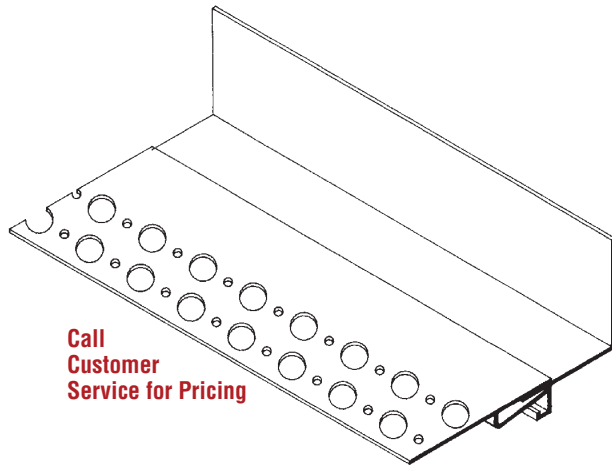
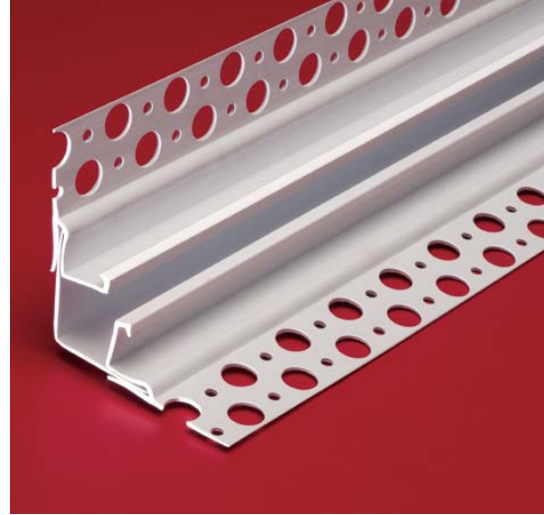
10' (3 m) Lengths • **Product ships unassembled.**

### Application:

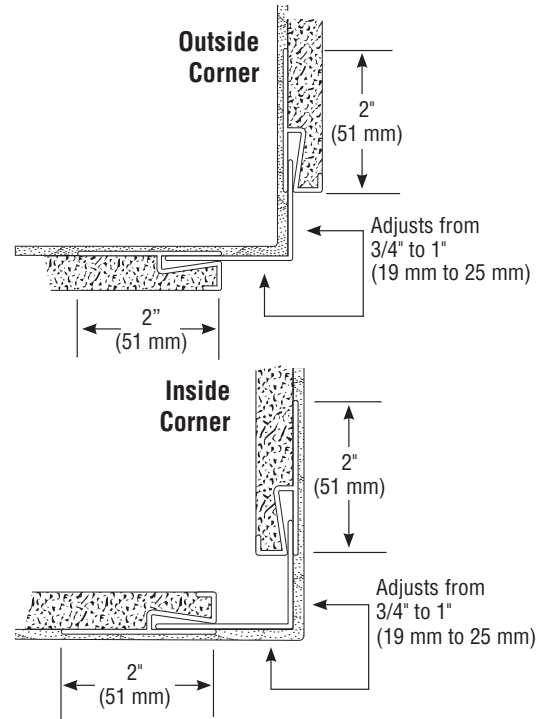
Designed to form a plastered inside or outside corner and absorb the movement of two 90° connecting walls.

### Specifications:

The Inside/Outside Corner Slip Joint shall be Plastic Components, Inc. #\_\_\_\_\_. All exterior accessories shall be of PVC material conforming to ASTM standards D1784, C1063, C1861 and D4216. They shall be used where specified by the design authority and installed per industry standards.



Call Customer Service for Pricing



All butt joints, intersections and ends shall be caulked at the time of installation using an elastomeric sealant, such as Plastic Components' Ultra-Tech™ (PC-ULTW).



A-27