

September 2008

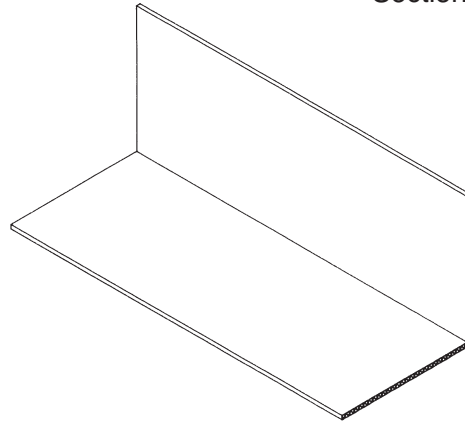
# Parts & Pieces

Section: 09200

## Inside/Outside Corner Angle

Product Number	Dimensions/Descriptions	Pieces Per Box
223	1-1/2" x 1-1/2" (38 mm x 38 mm) "L" angle.	50

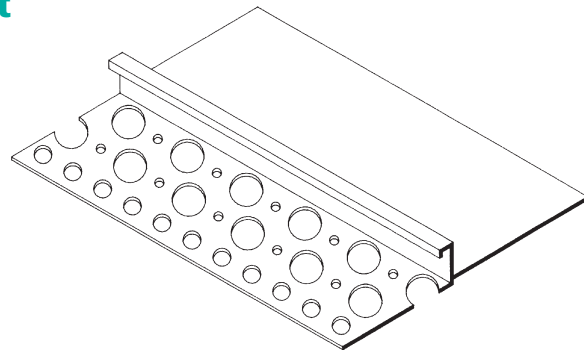
10' (3 m) Lengths



## Male Component of a Slip Joint

Product Number	Dimensions/Descriptions	Pieces Per Box
500M-38	Perforated flange 1-3/4" (44 mm).	40
500M-50		40
500M-75	Unperforated area 1-7/8" (48 mm).	30
500M-78		25

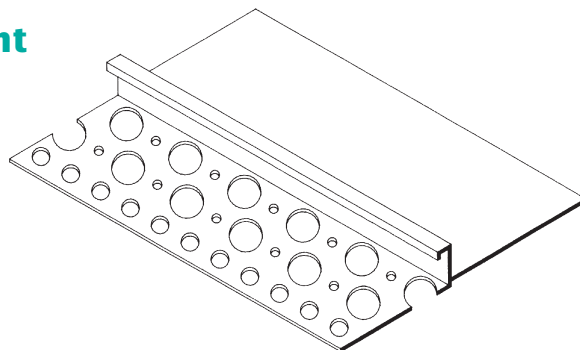
10' (3 m) Lengths



## Male Component of a Slip Joint

Product Number	Dimensions/Descriptions	Pieces Per Box
501M-50	Perforated flange 1-3/4" (44 mm).	50
501M-58		50
501M-75	Unperforated area 1-3/8" (35 mm).	40
501M-78		35

10' (3 m) Lengths



*Caulk all butt joints, intersections and ends.*



**PLASTIC PC<sup>TM</sup>**  
**COMPONENTS inc.**

E-2