

## Access Panels

# IntexForms Access Panels

*"Absolutely the best GRG  
access panel available."*

Radius

Square

The GRG Access Door and Frame was invented by IntexForms in the early 1990's. From the original four size offerings IntexForms now makes 100's of sizes from 6" to 120" in round and square corner details, in gravity fit (lay-in) or hinged for downward access. All IntexForms panels are made and calibrated for 5/8" sheetrock. Our Door Panels are computer programmed to the frames, so that every panel fits in every orientation with even gaps on all sides, every time. IntexForms Frames include a wooden embedment so bungle head screws, or torque, do not fracture or crack the frames. Every access panel and frame is provided "paint ready."

IntexForms makes custom access panels easily and quickly. Split doors, oversized, moist environments, sealed gasketed access doors. Locked and keyed access doors, round or oblong access.

Call us for complete information and sizes!

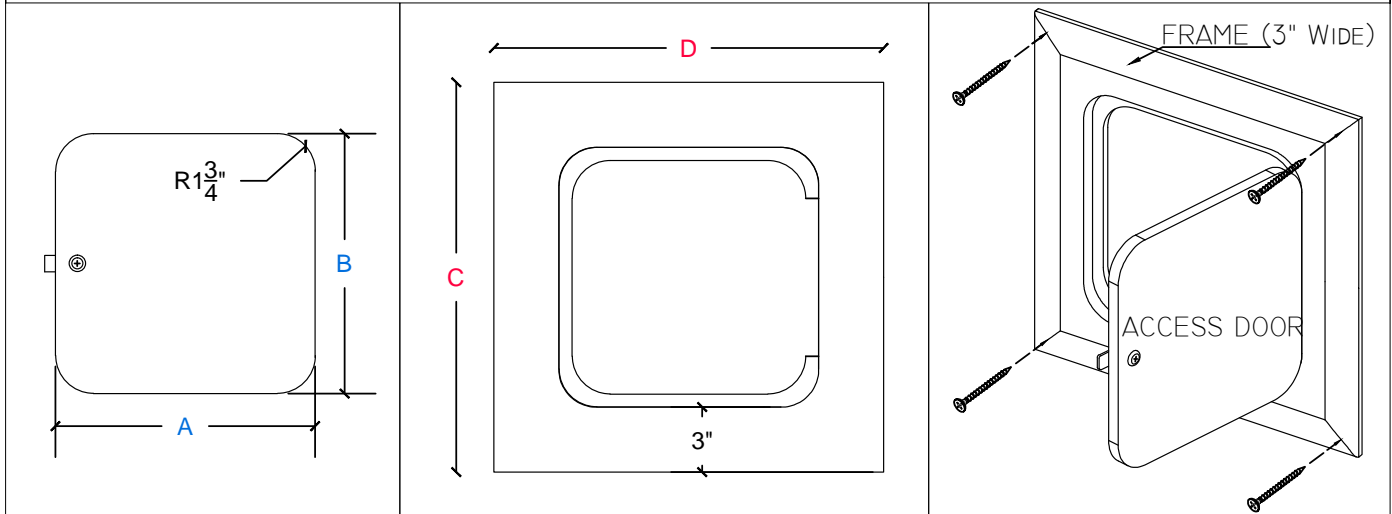


 **IntexForms, Inc.**  
COMMITMENT TO QUALITY



Custom Glassfiber Reinforced Products

Hinged Access Panel Radius Door Corners



PART #	DOOR OPENING		CENTER OF FRAMING		WEIGHT
	A	B	C	D	
APR6X6H	6"	6"	12"	12"	2.5 lbs.
APR8X8H	8"	8"	14"	14"	3 lbs.
APR9X9H	9"	9"	15"	15"	4 lbs.
APR10X10H	10"	10"	16"	16"	4.5 lbs.
APR12X12H	12"	12"	18"	18"	5.75 lbs.
APR14X14H	14"	14"	20"	20"	7 lbs.
APR16X16H	16"	16"	22"	22"	8.5 lbs.
APR18X18H	18"	18"	24"	24"	10 lbs.
APR20X20H	20"	20"	26"	26"	12 lbs.
APR24X24H	24"	24"	30"	30"	15.5 lbs.
APR30X30H	30"	30"	36"	36"	22.5 lbs.
APR36X36H	36"	36"	42"	42"	30.75 lbs.
APR42X42H	42"	42"	48"	48"	40 lbs.
APR48X48H	48"	48"	52"	52"	44 lbs.

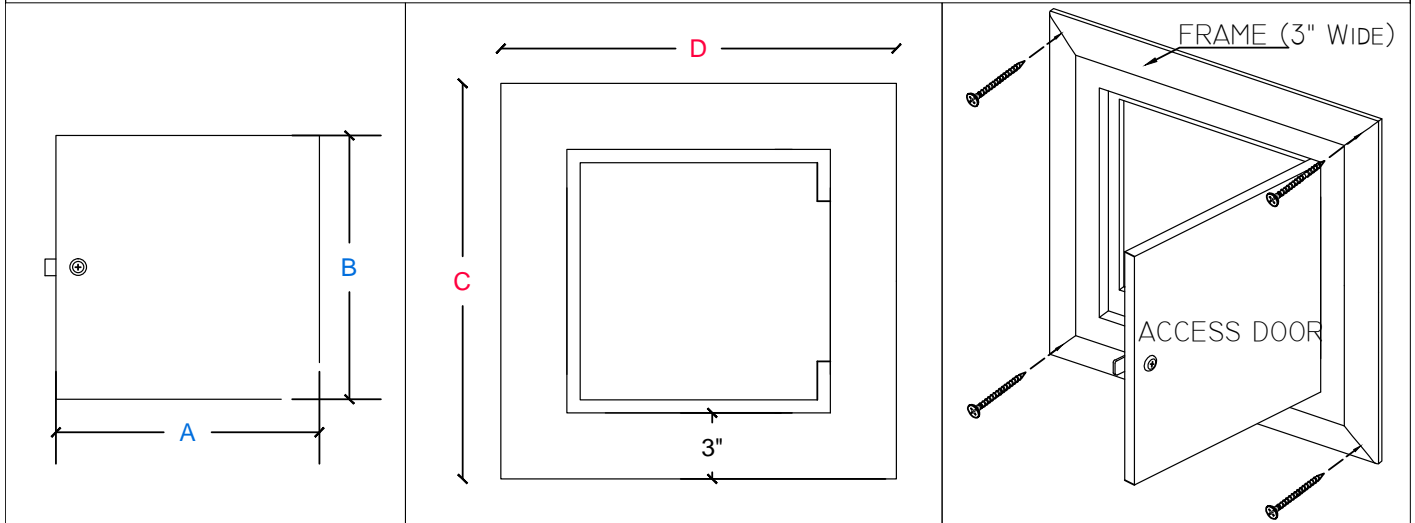
LOCK OPTIONS	Lock & Key	Slotted	Magnetic
--------------	------------	---------	----------





Custom Glassfiber Reinforced Products

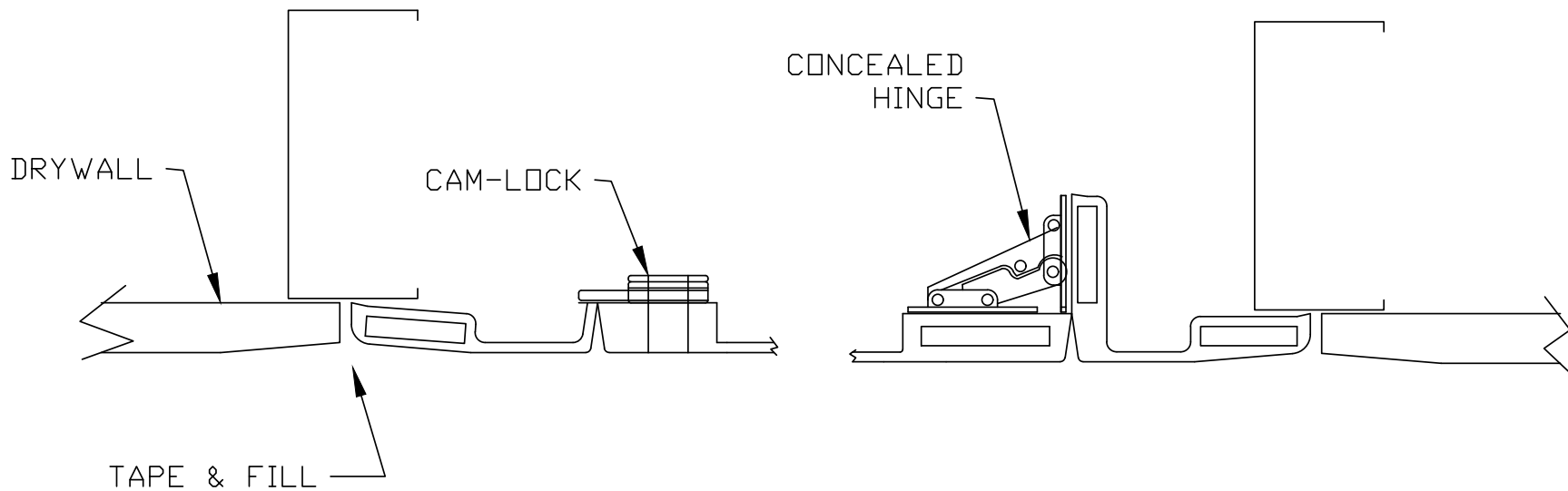
Hinged Access Panel Square Door Corners



PART #	DOOR OPENING		CENTER OF FRAMING		WEIGHT
	A	B	C	D	
APS6X6H	6"	6"	12"	12"	2.5 lbs.
APS8X8H	8"	8"	14"	14"	3 lbs.
APS9X9H	9"	9"	15"	15"	4 lbs.
APS10X10H	10"	10"	16"	16"	4.5 lbs.
APS12X12H	12"	12"	18"	18"	5.75 lbs.
APS14X14H	14"	14"	20"	20"	7 lbs.
APS16X16H	16"	16"	22"	22"	8.5 lbs.
APS18X18H	18"	18"	24"	24"	10 lbs.
APS20X20H	20"	20"	26"	26"	12 lbs.
APS24X24H	24"	24"	30"	30"	15.5 lbs.
APS30X30H	30"	30"	36"	36"	22.5 lbs
APS36X36H	36"	36"	42"	42"	30.75 lbs
APS42X42H	42"	42"	48"	48"	40 lbs
APS48X48H	48"	48"	52"	52"	44 lbs

LOCK OPTIONS	Lock & Key	Slotted	Magnetic
--------------	------------	---------	----------





DATE:

DRAWN BY: JM

REF. NO.:

**HINGE PANEL DETAIL**

**IntexForms, Inc.**

Custom Glassfiber Reinforced Products

DRAWING NO.

REVISION



# IntexForms, Inc.

GlassFiber Reinforced Custom Products

Spec 2A (Rev.5)  
Rev. Sept. 2014  
Page 1.

IntexForms, Inc. GFRG\* - Glassfiber Reinforced Gypsum  
(For Interior Applications)

1 GENERAL

1.1 Scope:

Furnish all materials, labor, equipment and related services necessary to supply and erect Intex GFRG\* units as indicated in the contract documents and in compliance with local codes.

1.2 Work Included:

1. Supply of Intex GFRG\* units
2. Erection
3. Joint Treatment
4. Supply and installation of back-up supports, etc.

1.3 Related Work Excluded:

1. Gypsum Drywall
2. Finishes (see notes 2 & 3 for recommendations).

1.4 Intent:

This specification is intended to generally outline the IntexForms, Inc. requirements. It is not intended to amend or change the manufacturer's specifications.

1.5 Responsibility:

The gypsum drywall contractor shall install and tape the work under this section, and will be responsible for coordinating the installation with gypsum drywall work and other trades.

1.6 Manufacturers:

**IntexForms, Inc.**

**9293 Beatty Drive Sacramento, CA 95826  
Tel: 916-388-9933 Fax: 916-388-9949**

1.7 Samples and Submittals:

1. Submit a minimum of three (3) 8" x 8" Intex GFRG\* flat samples to the finishing contractor for paint selection.

IntexForms, Inc. GFRG\* - Glassfiber Reinforced Gypsum  
(For Interior Applications)

1.7 Samples and Submittals: cont'd...

2. Submit shop drawings for approval showing plans, sections, details, joint treatment, reinforcing, fastening devices and the relation of the Intex product to the surrounding constructions.
3. Prior to production, and upon request erect one prototype unit on site or at the Intex plant for inspection by the architect.

1.8 Substitutions:

Companies desiring to submit proposals other than IntexForms, Inc. shall, at least 10 working days in advance of the bid date, submit to the architect all information of the system. These companies must have a minimum of 5 years experience and provide photographs and shop drawings of 3 projects similar in scope with names of the architects and contractors. Independent test data showing compliance with the specified system and 3 physical samples must also be submitted.

2 PRODUCTS

2.1 Materials:

1. Intex GFRG\* units shall be prefabricated with high density gypsum, completely free of both asbestos and resin, reinforced with continuous random filament glassfiber mat. Chopped strand fiber reinforcing is **not** permitted.
2. Units to be suitably reinforced with steel or wood.
3. Intex GFRG\* shall be ready to receive primer and paint as specified elsewhere.
4. No additives are allowed under any circumstances. These include: polymers, retarders, accelerators, etc. The architect or his representative shall have access to the manufacturing facilities, either prior to contract award or thereafter, to inspect or verify compliance with these specifications.

2.2 Tolerances (Fabrication):

Dimensional - all directions	+/- 1/8"
Thickness - skin	+/- 1/16" / -0
Thickness - total unit	+/- 1/8"
Warpage or bowing	+/- 1/16" per foot

2.3 Physical Properties:

Shell Thickness Ceiling Mount Material	1/8" to 3/16"
Shell Thickness Wall & Floor Mount Material	3/16" to 1/4"
Weight (depending on reinforcing)	1 - 2 lbs/sq ft
Density	103 - 112 lbs/cu ft
Ultimate Tensile Strength	1200 - 1400 psi

**IntexForms, Inc.**  
GlassFiber Reinforced Custom Products

Spec 2A (Rev.5)  
Rev. September 2000

IntexForms, Inc. GFRG\* - Glassfiber Reinforced Gypsum  
(For Interior Applications)

1 GENERAL

1.1 Scope:

Furnish all materials, labor, equipment and related services necessary to supply and erect Intex GFRG\* units as indicated in the contract documents and in compliance with local codes.

1.2 Work Included:

1. Supply of Intex GFRG\* units
2. Erection
3. Joint Treatment
4. Supply and installation of back-up supports, etc.

1.3 Related Work Excluded:

1. Gypsum Drywall
2. Finishes (see notes 2 & 3 for recommendations).

1.4 Intent:

This specification is intended to generally outline the IntexForms, Inc. requirements. It is not intended to amend or change the manufacturer's specifications.

1.5 Responsibility:

The gypsum drywall contractor shall install and tape the work under this section, and will be responsible for coordinating the installation with gypsum drywall work and other trades.

1.6 Manufacturers:

**IntexForms, Inc.**  
9293 Beatty Dr., Sacramento, CA 95826  
Tel: 916-388-9933 Fax: 916-388-9949

1.7 Samples and Submittals:

1. Submit a minimum of three (3) - 8" x 8" Intex GFRG\* flat samples to the finishing contractor for paint selection.

Spec 2A (Rev.5)



IntexForms, Inc. GFRG\* - Glassfiber Reinforced Gypsum  
(For Interior Applications)

1.7 Samples and Submittals: cont'd...

2. Submit shop drawings for approval showing plans, sections, details, joint treatment, reinforcing, fastening devices and the relation of the Intex product to the surrounding constructions.
3. Prior to production, and upon request erect one prototype unit on site or at the Intex plant for inspection by the architect.

1.8 Substitutions:

Companies desiring to submit proposals other than IntexForms, Inc. shall, at least 10 working days in advance of the bid date, submit to the architect all information of the system. These companies must have a minimum of 5 years experience and provide photographs and shop drawings of 3 projects similar in scope with names of the architects and contractors. Independent test data showing compliance with the specified system and 3 physical samples must also be submitted.

2 PRODUCTS

2.1 Materials:

1. Intex GFRG\* units shall be prefabricated with high density gypsum, completely free of both asbestos and resin, reinforced with continuous random filament glassfiber mat. Chopped strand fiber reinforcing is **not** permitted.
2. Units to be suitably reinforced with steel or wood.
3. Intex GFRG\* shall be ready to receive primer and paint as specified elsewhere.
4. No additives are allowed under any circumstances. These include: polymers, retarders, accelerators, etc. The architect or his representative shall have access to the manufacturing facilities, either prior to contract award or thereafter, to inspect or verify compliance with these specifications.

2.2 Tolerances (Fabrication):

Dimensional - all directions	+/- 1/8"
Thickness - skin	+/- 1/16" / -0
Thickness - total unit	+/- 1/8"
Warpage or bowing	+/- 1/16" per foot

2.3 Physical Properties:

Shell Thickness Ceiling Mount Material	1/8" to 3/16"
Shell Thicknes Wall & Floor Mount Material	3/16" to 1/4"
Weight (depending on reinforcing)	1 - 2 lbs/sq ft
Density	103 - 112 lbs/cu ft
Ultimate Tensile Strength	1200 - 1400 psi

Spec 2A (Rev.5)