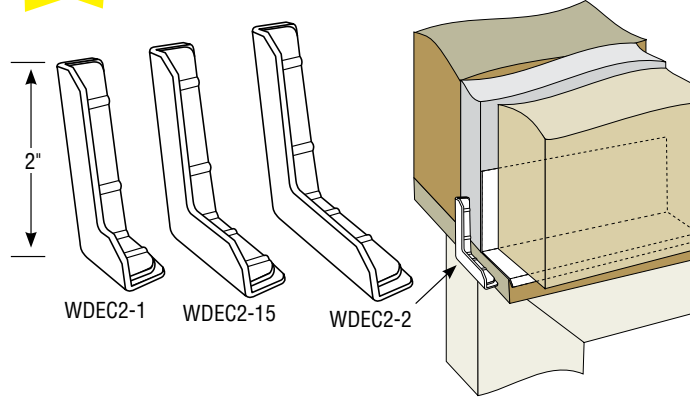


2019

Lumber, Building Materials

End Caps for SB Window/Door Drip Edge With 2" Back Flange

Product Number	Description/Dimensions Back Flange Bottom Flange	Sets Per Box
WDEC2-1	2" (51 mm) 1" (25 mm)	25
WDEC2-15	2" (51 mm) 1-1/2" (38 mm)	25
WDEC2-2	2" (51 mm) 2" (51 mm)	25

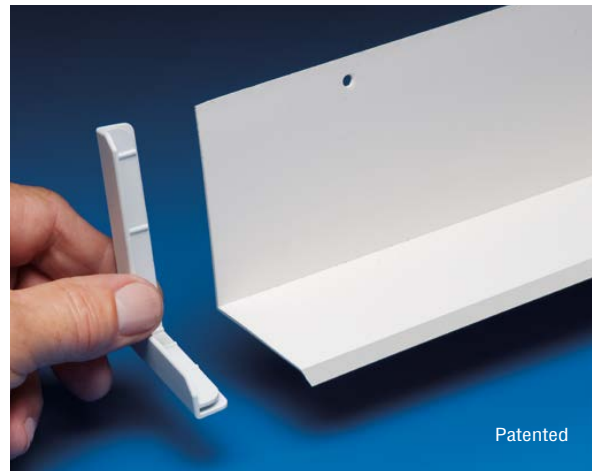


Application:

End Caps for SB Window/Door Drip Edges direct water out the front of the window/door assembly. They block entry of pests – low profile design discourages nesting. Come in 3 sizes and deliver increased moisture management in your EIFS projects.

Specification:

End Caps for SB Window/Door Drip Edges will be Plastic Components, Inc. #_____. All exterior accessories shall meet ASTM standards D1784, C1063, C1861 and D4216, shall be third party tested and Canadian Code compliant. They shall be used where specified by the design authority and installed per industry standards.



PLASTIC PCTM
COMPONENTS inc.

G-6