

CI/EIFS/Hard Coat

Section: 07240

CB EIFS Casing Bead

Product Number	*Dimension A	Pieces per Box
CB-50-16	1/2" (13 mm)	60
CB-58-16	5/8 (16 mm)	60
CB-75-16	3/4" (19 mm)	40
CB-1-16	1" (25 mm)	40
CB-15-16	1-1/2" (38 mm)	40
CB-2-16	2" (51 mm)	30
CB-25-16	2-1/2" (63 mm)	30



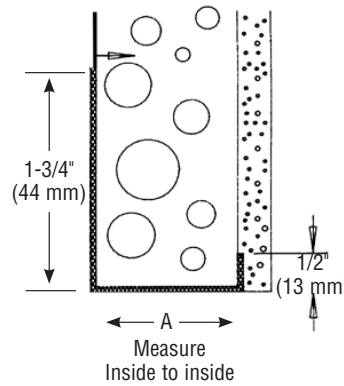
Add suffix "WP" to order with weep holes.
 Example: CBWP-15-16 – 10' (3 m) Lengths.
 *Dimension "A" – measure inside to inside.

Application:

Acts as a casing bead for the EPS board. Can be used around windows and doors. Provides a clean straight line. PVC surface allows caulking to adhere. Flange perforations allow ground coat to bond with the EPS board. Excellent paint adhesion.

Specifications:

Casing Bead shall be Plastic Components Inc. #_____. All exterior accessories shall meet ASTM standards D1784, C1063 and D4216, shall be third party tested and Canadian Code Compliant. They shall be used where specified by the design authority and installed per industry standards.



The base coat mesh should be lapped over the top of the perforated flanges and across all butt joints.



D-7