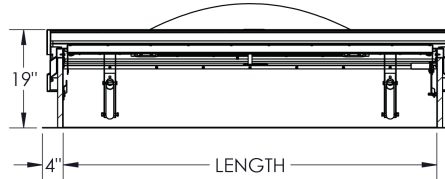
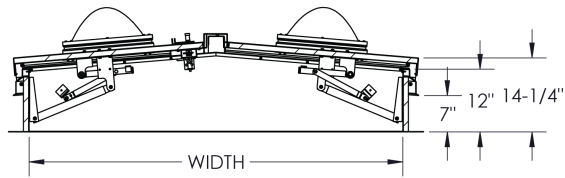
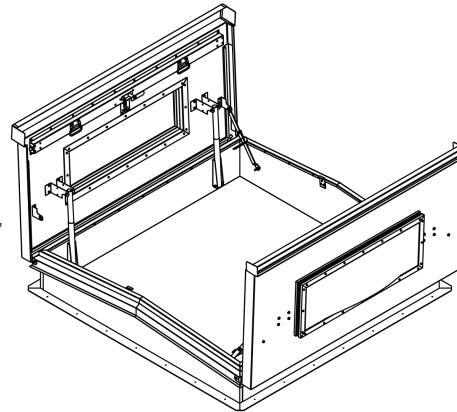
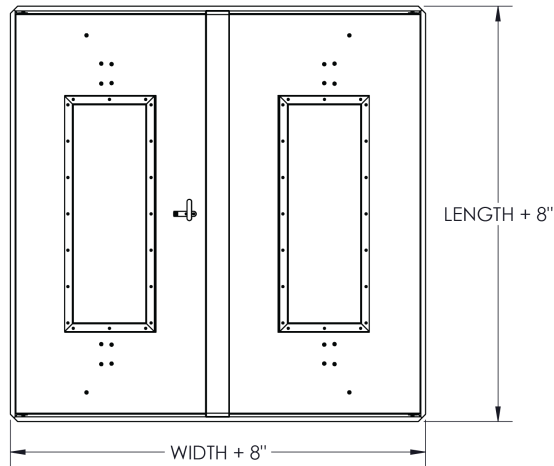


ROOF ACCESSORIES—DURA-HATCH™ DOMED EQUIPMENT SERIES—REHV

Dur-Red's double leaf domed equipment hatches are ideal for equipment installation and servicing from the roof. Now, with R6 polyisocyanurate insulation and durable factory finish powder coat.



SPECIFICATIONS:

Material: Steel- 14 gauge galvanized steel curb and cover with 22 gauge galvanized steel cover liner. Aluminum—11 gauge aluminum curb and cover with 18 gauge aluminum cover liner.

Finish: Powder coat gray texture on steel, powder coat silver texture on aluminum

Domes: Clear over white acrylic domes

Gasketing: Bulb neoprene door seal

Insulation: 1" polyisocyanurate (R-6) on curb and in cover

Hinges: Heavy-duty galvanized steel or aluminum hinge with bolt pin

Hold-Open Arm: Clear zinc-plated steel hold-open arm with red plastic coating.

Latches: Two point universal spring latches on each cover with exterior and interior handles

Spring: Pressure intensifiers with compression springs provide lift assistance

Sizes: Minimum: 72" x 72" Maximum: 72" x 96"

Clear Opening: Minus 8" on width and minus 8" on length



DUR-RED PRODUCTS

Distributor:

Contractor:

Date:

Scale: N/A

| Pages: 1 of 2

Project:

Approved By:

Architect:

Item #

COMMON SIZES—REHV

QTY	MODEL	PRIOR JL MODEL	MATERIAL	CURB OPENING	CLEAR OPENING
	REHVA-7272ST	DEHA-7272	Aluminum	72" x 72"	64" x 64"
	REHVA-7296ST	DEHA-7296 (DEHA-1)	Aluminum	72" x 96"	64" x 88"
	REHVG-7272GT	DEHG-7272	Steel	72" x 72"	64" x 64"
	REHVG-7272ST	DEHG-7272	Steel	72" x 72"	64" x 64"
	REHVG-7296ST	DEHG-7296 (DEHG-1)	Steel	72" x 96"	64" x 88"
	REHVGA-7272ST	DEHGA-7272	Steel Curb & Aluminum Cover	72" x 72"	64" x 64"
	REHVGA-7296ST	DEHGA-7296 (DEHGA-1)	Steel Curb & Aluminum Cover	72" x 96"	64" x 88"

MADE-TO-ORDER REHV: EXAMPLE—REHVGA-7474G-VPCW

REHV

- MATERIAL**
- G** Galvanneal
 - A** Aluminum
 - GA** Steel Curb, Aluminum Cover

WIDTH LENGTH

--	--	--

FINISH

- GT** Powder Coat Gray Texture (Std for REHVG)
- ST** Powder Coat Silver Texture (Std for REHVA, REHVGA)

OPTIONS

- CD** Double Wall Curb
- CM** Curb Mount
- H18** 18" High Curb
- IS** 1" Fiberboard Insulated Curb
- IT** 2" Polyiso Insulated Curb
- IW** 1" x 6" Wood Nailer Top/Polyiso Bottom of Curb
- SS** Stainless Hardware
- VPCW** Double Polycarbonate Clear over White Dome
- VAW** Acrylic Single Dome White
- VPW** Polycarbonate Single White

It is the responsibility of the customer to communicate specifications and product performance requirements that are needed for their application. This document is intended to convey potential product configurations and offerings. It is not to be used to imply or represent a specification or rating, of finished products shipped. Detailed, specific submittals can be created upon request. It is the responsibility of the customer to specify product accordingly to comply with local laws, codes, and ordinances.