



## SUBMITTAL: CAVALIER FIRE-FX2™ BRONZE AND BRASS FIRE-RATED EXTINGUISHER CABINET

Select the Beauty and Upscale Finish of Bronze or Brass to add a Luxurious Look to Your Next Project.

**Door and Trim Construction:** Cabinets are available in US 10 satin bronze or US 3 polished brass. Flush cabinet doors with a 5/8" door stop are attached by a continuous hinge and equipped with zinc-plated handle that is painted to match the finish, and roller catch. All models have 1-3/4" wide trim on frame and 1-1/4" trim on doors with glazing. Can also be ordered with our theft-deterrent Saf-t-Lok™ which features a cylinder lock with a plastic cam allowing the door to be opened with a sharp tug.

**Trim Style and Depth:** Recessed - 3/8" flat trim. Semi-Recessed - 1 1/4", 1 1/2" Square Edge or 3" Rolled Edge. Surface-mount has a square edge.

**Tub:** The tub is constructed of cold rolled steel with white powder-coat finish standard. Fire-resistant material is attached to the exterior of the tub.

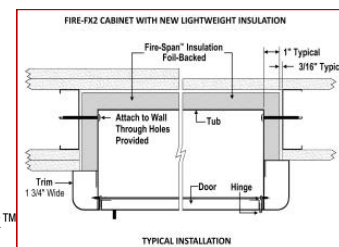
*Fire Rating: Fire-FX2™ cabinets are UL listed and labeled as an approved membrane penetration firestop system for up to 2 hours in accordance with UL 1479 (ASTM-E814) and CAN/ULC-S115, when properly installed in a wall assembly according to installation instructions.*

**STEP 1: Select Model from Chart on Page 2**

- A. Determine Trim Style according to wall depth.
- B. Determine Tub I.D. according to size most suited for extinguisher and wall opening.
- C. Select Model and Material

**STEP 2: Select Door Style with Pull Below:** (See page 2 to view styles)

- |  |   |  |
|--|---|--|
| <input type="checkbox"/> F Full Glazing                      | <input type="checkbox"/> S21 Solid                                | <input type="checkbox"/> V Vertical Duo              |
| <input type="checkbox"/> G Full Glazing & Saf-t-Lok™         | <input type="checkbox"/> L22 Solid & Saf-T-Lok™                   | <input type="checkbox"/> W Vertical Duo & Saf-T-Lok™ |
| <input type="checkbox"/> D Horizontal Duo Panel              | <input type="checkbox"/> L24 Solid with Cylinder Lock & No Handle |  |
| <input type="checkbox"/> E Horizontal Duo Panel & Saf-T-Lok™ | <input type="checkbox"/> B10 Solid with Glass Insert & Saf-T-Lok™ |  |



**STEP 3: Select Door Glazing Below**

- |  |  |  |
|--|--|--|
| <input type="checkbox"/> 10 Clear Acrylic                  | <input type="checkbox"/> 15 Bronze Acrylic | <input type="checkbox"/> 17 Clear Tempered Glass   |
| <input type="checkbox"/> 13 Clear Wire Glass w/Safety Film | <input type="checkbox"/> 16 Gray Acrylic   | <input type="checkbox"/> 18 Laminated Safety Glass |

**STEP 4: Options at Additional Cost (Select Any)**

- |  |  |   |
|--|--|---|
| <input type="checkbox"/> Futura Embossed "Fire" Handle __ Mill __ White __ Red | <input type="checkbox"/> Bronze Door & Trim: US9 Bright Polished | <input type="checkbox"/> FE Diecut Letters - Black Vertical   |
| <input type="checkbox"/> Flush Pull  | <input type="checkbox"/> Bronze Door & Trim: US10B Oil-rubbed    | <input type="checkbox"/> FE Diecut Letters- Red Vertical      |
| <input type="checkbox"/> Panorama-Style Full Acrylic Door. Style: _____        | <input type="checkbox"/> Brass Door & Trim: US4 Satin            | <input type="checkbox"/> FE Diecut Letters - White Vertical   |
| <input type="checkbox"/> Optional Color Tub. Color Code: ____                  | <input type="checkbox"/> (CA) Commander Alarm                    | <input type="checkbox"/> FE Diecut Letters - Black Horizontal |
| <input type="checkbox"/> Etched Lettering in Glass                             | <input type="checkbox"/> (BA) Brigadier Alarm                    | <input type="checkbox"/> FE Diecut Letters - Red Horizontal   |



1855S21FX2

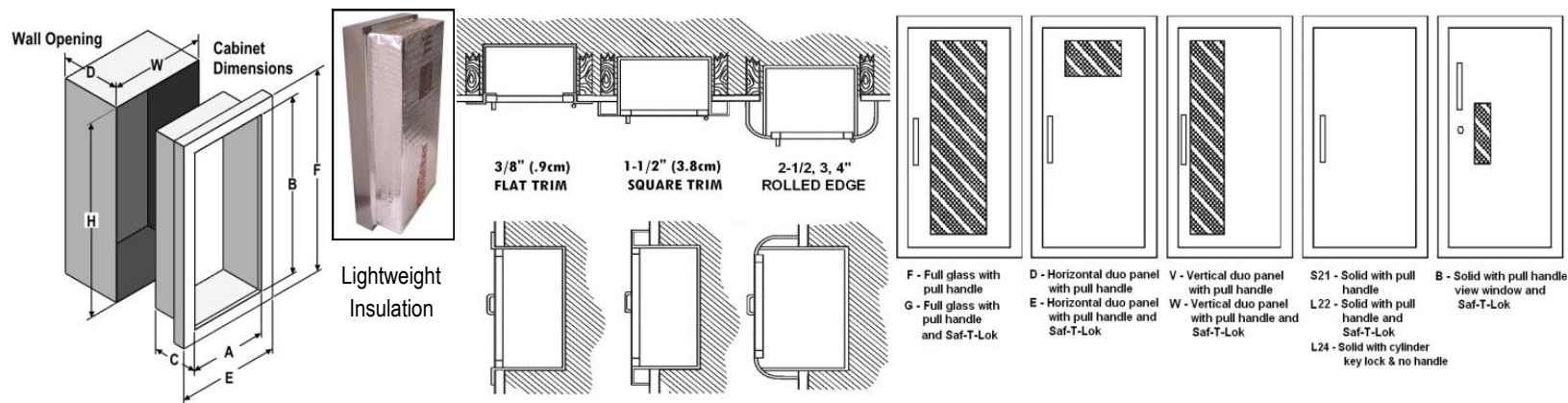


1847S21FX2

	Distributor:	Quantity:
	Contractor:	Approved By:
	Model #:	Architect:
	Project:	Date:
	5/25/23	



## SUBMITTAL: CAVALIER FIRE-FX2 FIRE-RATED EXTINGUISHER CABINET



Trim and Door Material and Series #		Tub I.D.			Frame O.D.		FX Wall Opening			Accommodates Following Extinguishers					
QTY	US10 Satin Bronze	QTY	US10B Oil Rubbed Bronze	QTY	US3 Polished Brass	Trim Style	A	B	C		E	F	W	H	D
	1845		1885		1855	Flat Trim	10 1/2	24	5 1/2	13 7/8	27 3/8	12 13/16	26 5/16	6 7/16	Cosmic & Galaxy 2 1/2-6 (6lb must be mounted on tub), Mercury 2 1/2, 5
	1846		1886		1856	1 1/2" Square	10 1/2	24	5 1/2	13 7/8	27 3/8	12 13/16	26 5/16	5 13/16	
	1847		1887		1857	3" Rolled	10 1/2	24	5 1/2	13 7/8	27 3/8	12 13/16	26 5/16	3 5/8	
	1045		1085		1055	Flat Trim	10 1/2	24	6	13 7/8	27 3/8	12 13/16	26 5/16	6 15/16	Cosmic & Galaxy 2 1/2-10 Sentinel 5, Mercury 2 1/2, 5
	1046		1086		1056	1 1/2" Square	10 1/2	24	6	13 7/8	27 3/8	12 13/16	26 5/16	5 11/16	
	1047		1087		1057	3" Rolled	10 1/2	24	6	13 7/8	27 3/8	12 13/16	26 5/16	4	
	2045		2085		2055	Flat Trim	12	27	7 3/4	15 3/8	30 3/8	14 5/16	29 5/16	8 11/16	Any Cosmic or Galaxy (20 lb must be mounted on tub), Mercury, Saturn or Grenadier P, Sentinel 5, 10, Nebula 270
	2046		2086		2056	1 1/4" Square	12	27	7 3/4	15 3/8	30 3/8	14 5/16	29 5/16	7 11/16	



**2086V10FX2**  
**US10B Oil-Rubbed**  
 Finish with White  
 Vertical Diecut Letters

- Cabinets that Meet 4" Maximum ADA Projection Requirement