

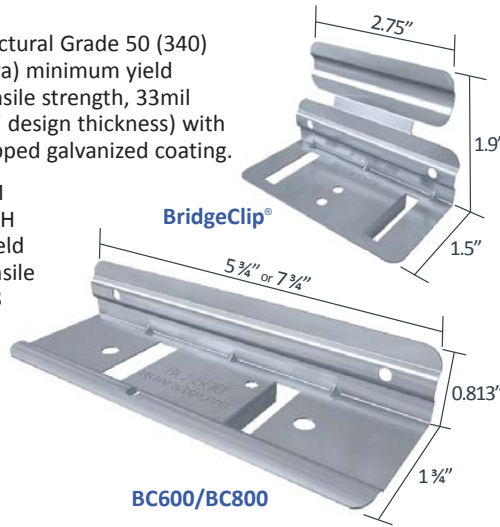
# BridgeClip®

Secures Channel to Stud

## Material Composition

**BridgeClip:** ASTM A1003/A1003M Structural Grade 50 (340) Type H, ST50H (ST340H): 50ksi (340MPa) minimum yield strength, 65ksi (450MPa) minimum tensile strength, 33mil minimum thickness (20 gauge, 0.0346" design thickness) with ASTM A653/A653M G90 (Z275) hot dipped galvanized coating.

**BC600 & BC800:** ASTM A1003/A1003M Structural Grade 50 (340) Type H, ST50H (ST340H): 50ksi (340MPa) minimum yield strength, 65ksi (450MPa) minimum tensile strength, 43mil minimum thickness (18 gauge, 0.0451" design thickness) with ASTM A653/A653M G90 (Z275) hot dipped galvanized coating.



US Patent #5,904,023

## BridgeClip Allowable Loads

| Designation           | F1 (lbs) | M1 (in-lbs) |
|-----------------------|----------|-------------|
| BridgeClip (1) Screw  | 75       | 180         |
| BridgeClip (3) Screws | 360      | 340         |
| BC600                 | 360      | 720         |
| BC800                 | 360      | 720         |

## Notes:

- Design loads based on clip capacity only (verify screw shear and pullout at stud web).
- Allowable loads have not been increased for wind, seismic, or other factors.
- Resists both lateral and twisting loads.

## Nomenclature

BridgeClip is available in 3-5/8", 6" and 8". Designations are BridgeClip®, BC600 & BC800.

**Example:** 6" Stud

**Designate:** BC600

## Load Direction

