

Stucco and Plaster

Section: 09200

Unpunched Casing Bead with 3-1/2" (89 mm) Wide Flange (Weeped or Unweeped)

Product Number	Ground	Dimensions/Descriptions	Pieces per Box
3550	1/2" (13 mm)	3-1/2" (89 mm) wide nailing flange, non-punched.	40
3558	5/8" (16 mm)		40
3575	3/4" (19 mm)		40
3578	7/8" (22 mm)		40
35100	1" (25 mm)		40
35138	1-3/8" (35 mm)	Unpunched Casing Bead 3-1/2" (89 mm) for 1-3/8" (35 mm) Ground, weeped	40

NEW Size!



10' (3 m) Lengths

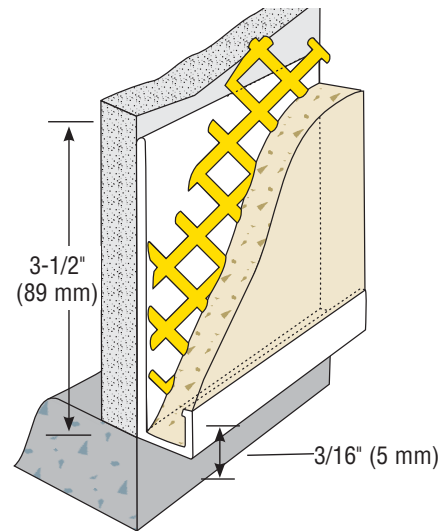
Add suffix "WP" to order with weep holes. Example: 3550WP

Application:

To be used in areas where stucco terminates at foundations, windows, doors, or any other termination point. Will not rust or dent.

Specification:

Wide Flange Casing Bead shall be Plastic Components, Inc. # _____. All exterior accessories shall be of PVC material conforming to ASTM standards D1784, C1063, C1861 and D4216. They shall be used where specified by the design authority and installed per industry standards.



All butt joints, intersections and ends shall be caulked at the time of installation using an elastomeric sealant, such as Plastic Components' Ultra-Tech™ (PC-ULTW).



A-12