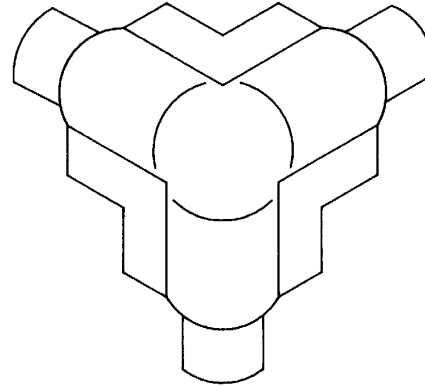


# Drywall Accessories

Section: 09260

## 3 Way Outside Corner Cap

| Product Number | Dimensions/Descriptions  | Pieces per Box |
|----------------|--|----------------|
| 3WOC           | Three way outside corner. For joining three bullnose corners at 90° angles | 100            |



### Specifications:

3 Way Outside Corner Cap shall be Plastic Components Inc. #3WOC. All drywall accessories shall conform to ASTM standards D3678 and C1047. All products shall be third party tested to meet ASTM standard D4216 and be Canadian Code Compliant. Finish compatible with drywall mud and all paint finishes. They shall be used where specified by the design authority and installed per industry standards.



C-27