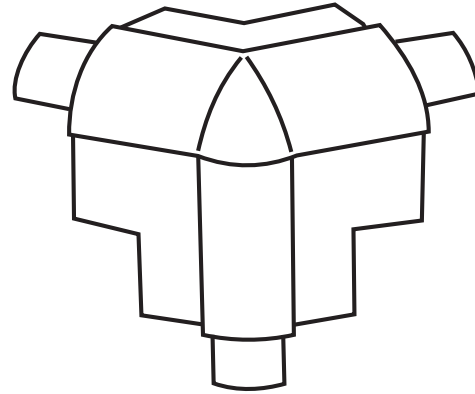


Drywall Accessories

Section: 09260

3 Way Inside Corner Cap

Product Number	Dimensions/Descriptions	Pieces per Box
3WIC	Three way inside corner for joining three bullnose corners at 90° angles.	25



Specifications:

3 Way Inside Corner Cap shall be Plastic Components Inc. #3WIC. All drywall accessories shall conform to ASTM standards D3678 and C1047. All products shall be third party tested to meet ASTM standard D4216 and be Canadian Code Compliant. Finish compatible with drywall mud and all paint finishes. They shall be used where specified by the design authority and installed per industry standards.



C-29