

November 2008

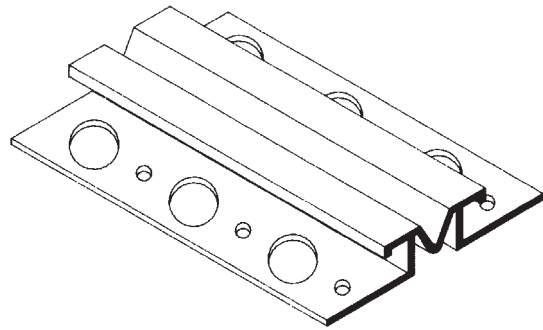
# Exterior Insulated Finishes

Section: 07240

## Surface Mounted Control Joint

Product Number	Dimensions/Descriptions	Pieces Per Box
2138XS	Surface mounted expansion joint for 3/8" (10 mm) thick finish—has removable tape.	50

10' (3 m) Lengths

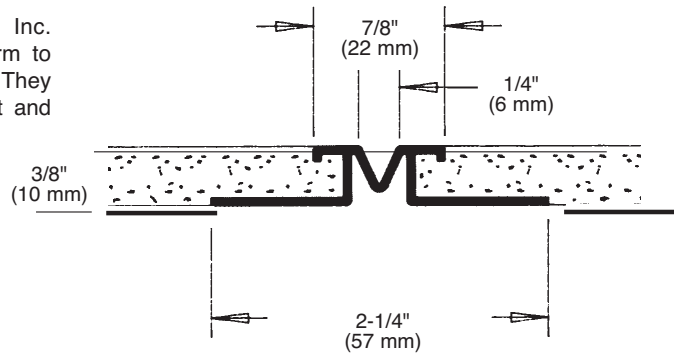


### Application:

This surface mounted control joint may be used with a fiber reinforced modified stucco system. Center "V" is protected with tape to keep channel clean during installation. Excellent paint adhesion.

### Specification:

Corner Joint shall be Plastic Components, Inc. #2138XS. All exterior accessories shall conform to ASTM standards D1784, C1063 and D4216. They shall be used where specified by the architect and installed per industry standards.



The base coat mesh should be lapped over the top of the perforated flanges and across all butt joints.

Caulk all butt joints, intersections and ends.



**PLASTIC PC**<sup>™</sup>  
**COMPONENTS** inc.