

2022

CI/EIFS/Hard Coat

Section: 07240

Raised Bridge Joint

| Product Number | Dimension/Description | Pieces per Box |
|----------------|--|----------------|
| 1609 | An alternative to removing foam around window and installing backer rod and caulk. | 50 |

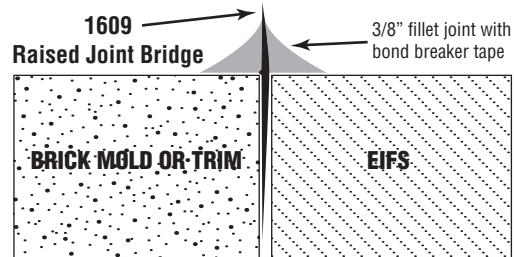
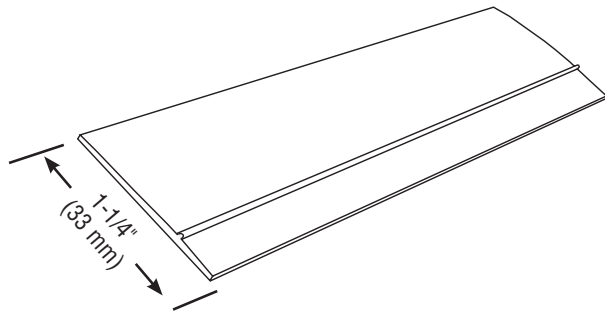
10' (3 m) Lengths

Application:

An alternative to removing foam around window and installing backer rod and caulk.

Specifications:

Raised Bridge Joint shall be Plastic Components, Inc. #1609. All exterior accessories shall meet ASTM standards D1784, C1063 and D4216, shall be third party tested and Canadian Code Compliant. They shall be used where specified by the design authority and installed per industry standards.



The base coat mesh should be lapped over the top of the perforated flanges and across all butt joints.



D-34