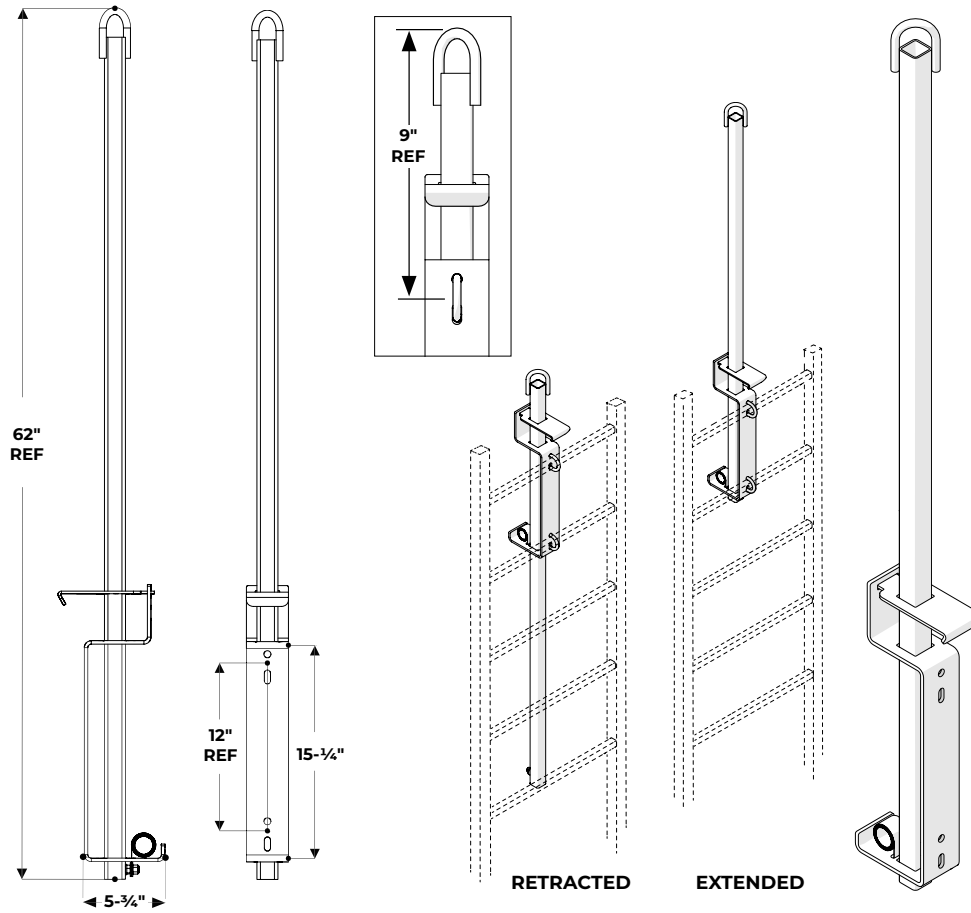


ROOF ACCESSORIES - LP SERIES - Extendable Rung-Mounted Ladder Post - LP-4

The Extendable Safety Ladder Post provides a convenient and safe method for to climb on and off fixed access ladders through a roof hatch.



SPECIFICATIONS:

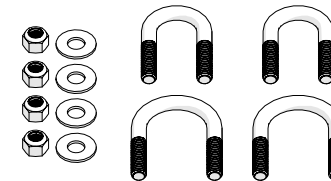
Post Material: Mild steel square tubing 1-1/2" x 1-1/2" x 1/8"
Locking Bracket Material: .20" Steel Plate
Clamping Bracket Material: .25" Steel Plate
Finish: Yellow powder coat
Spring Type: Stainless steel constant force power spring
Hardware kit included: Zinc-plated steel U bolts, 3/8" zinc plated steel nylon insert locknuts and washers
Ladder Requirements: Round or square rungs in sizes 3/4" - 1-1/4" spaced 12" apart. When mounted, the rung centers must allow at least a 7" foot clearance, as required by OSHA.
Weight: 25 LBS
Load: Tested to 250lb concentrated load.

NOTES:

The ladder post is furnished completely assembled ready to mount on a fixed vertical ladder that is structurally sound and securely anchored.

Important: Use top loop for raising and pulling up the post only. It is not suitable for attaching a safety fall arrest harness and should not be used for this purpose.

QTY	MODEL	MATERIAL	TYPE
	LP-4	Steel	Yellow Powder coat



© 2021 Activar Construction Products Group, Inc.

THE INFORMATION CONTAINED IN THIS DRAWING IS THE SOLE PROPERTY OF ACTIVAR CONSTRUCTION PRODUCTS GROUP, INC. ANY REPRODUCTION IN PART OR AS A WHOLE WITHOUT THE WRITTEN PERMISSION OF ACTIVAR CONSTRUCTION PRODUCTS GROUP, INC. IS PROHIBITED.

Distributor:		Project:	
Contractor:		Approved By:	
Date:		Architect:	
Scale: N/A	Pages: 1 of 1	Item #:	

October 15 2021