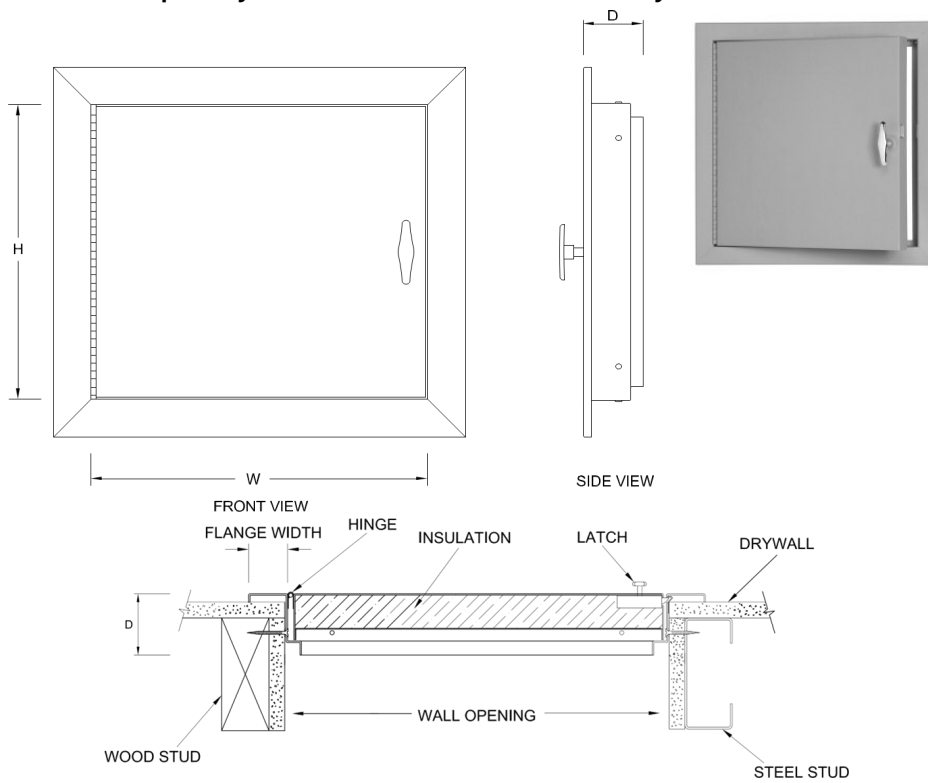


## SUBMITTAL: FD2L™ SERIES 2 HR FIRE-RATED LAUNDRY/GARBAGE DOOR FOR WALLS PG 1 OF 1

The Maxam specialty two hour fire-rated door for laundry




**Materials:** Satin finish galvaneal steel or 304 stainless steel.  
**Frame:** 16 ga (1.61mm) steel with mounting holes. Depth "D"= 2-3/4" (70mm).  
**Flange:** Width 1-3/4" (45mm) with a 3/8" (9.52mm) return.  
**Door Panel -** 18 ga (1.31mm) with 22 ga (0.85mm) liner.  
**Insulation:** The door panel contains 1-1/2" (38mm) of high temperature insulation material.  
**Finishes:** Rust-inhibitive off-white prime coat or # 4 polished stainless steel finish on exterior surface.  
**Hinges:** The continuous stainless steel piano hinge is designed to secure the door panel and open to 180°. The hinge is placed on the long side of the door ("H" dimension) needs to be in a vertical orientation, not horizontal.  
**Panel Closer:** Listed concealed door closure that self-closes and latches the door as required by NFPA 80.  
**Latch:** The standard factory installed latch is a non-locking (N) chrome "T" handle. Interior latch release optional.  
**Sizes:** Made to Order. Minimum size is 16" x 16" , maximum size 30" x 30".  
**Fire-Rating:** Intertek Warnock Hersey Listed and Labeled  
 2 Hour Fire Rating for vertical installation only  
 Temp Rise Max: 139°C / 250° F at 30 Min 250° C / 450° F at 60 Min  
**Testing Standard:** Vertical: NFPA 252, UL 10B, CAN/ULC S104  
**Optional Smoke Gasket Testing Standards:** UL 1784 per NFPA 105, ASTM E152, CAN4 S106, UBC 7-2, UL 10 (b) NFPA 252 (90- minute)  
**Clear Opening:** Width minus 1-1/4", Height minus 1-1/4".

**MADE-TO-ORDER FD2L**

<input type="checkbox"/> QTY	<input type="checkbox"/> FD2L MODEL	<input type="checkbox"/> G MATERIAL	<input type="checkbox"/> SS MATERIAL	- WIDTH	HEIGHT -	<input type="checkbox"/> N LATCHES	<input type="checkbox"/> MP LATCHES	<input type="checkbox"/> MPI LATCHES	<input type="checkbox"/> K OPTIONS
		Galvaneal Steel	Stainless Steel			Non-Locking T Handle (Std)	Mortise Prep for 1-1/8" Cylinder	Mortise Lock Installed (1-1/8")	Listed Smoke Gasket

QTY	Model Galvaneal T-Handle	Rough Opening = Order Size W x H, H = Hinge Side		Weight Kgs	Weight lbs.
		Inches	Metric(mm)		
	FD2LG-1616-N	16 x 16	406 x 406	7.71	17
	FD2LG-1818-N	18 x 18	457 x 457	9.07	23
	FD2LG-1824-N	18 x 24	457 x 610	11.34	25
	FD2LG-2230-N	22 x 30	559 x 762	16.1	37
	FD2LG-2424-N	24 x 24	610 x 610	13.6	30
	FD2LG-2430-N	24 x 30	610 x 762	17	39
	FD2LG-3030-N	30 x 30	762X 762	19.5	43

 <b>JL INDUSTRIES</b>	<b>Distributor:</b>	<b>Quantity:</b>
	<b>Contractor:</b>	<b>Approved By:</b>
	<b>Model #:</b>	<b>Architect:</b>
	<b>Project:</b>	<b>Date:</b>
<small>© 2023 Activar Construction Products Group, Inc. THE INFORMATION CONTAINED IN THIS DOCUMENT IS THE SOLE PROPERTY OF ACTIVAR CONSTRUCTION PRODUCTS GROUP, INC. ANY REPRODUCTION IN PART OF AS A WHOLE WITHOUT THE WRITTEN PERMISSION IS PROHIBITED.</small>		<b>REV MARCH 2023</b>