

## SUBMITTAL: FD2WI™- 2 HOUR FIRE-RATED ACCESS PANEL FOR WALLS WITH INWARD OPENING DOOR

The Maxam fire-rated access panel for use in walls where control of temperature rise and heat transmission is required. Designed without the use of springs, allowing easier access through the door opening.

**Materials:** Satin finish galvaneal steel or 304 stainless steel.

**Frame:** 16 ga up to and including 30" x 48" (762 mm x 1219 mm), larger sizes are 14 ga. Depth (D) = 3 1/2" (89mm).

**Flange:** Exterior flange width is 7/8" (22mm). Overall width 1-1/2" (38 mm).

**Door Panel:** 18 gauge, 22 gauge liner, with inside pull handle.

**Insulation:** The door panel contains 1 1/2" of high temperature insulation material.

**Finishes:** Rust-inhibitive off-white prime coat or # 4 polished stainless steel finish on exterior surface.

**Hinges:** Concealed continuous piano hinge allows the door panel to open inward 90°. The hinge is placed on the "H" dimension.

**Panel Closer:** Concealed door closer allows the door panel to be self-closing and self-latching from an open position of approx. 90° as required by NFPA 80.

**Latch:** The standard factory installed latch is a flush mount 1/4" allen key (A). The interior latch release is standard on doors.

**Sizes:** Minimum size 16" x 16", maximum size 48" x 60".

**Clear Opening:** Width minus 3-1/4", Height minus 1-1/2".



**Intertek Warnock Hersey:**

2 Hour Fire Rating Vertical Installation only  
Temp Rise Max: 139°C / 250° F at 30 Min 250° C / 450° F at 60 Min

**Testing Standards:**

**Vertical:** ASTM 252, UL 10(b), CAN/ULC S104

**Optional Smoke Gasket Testing Standards:**

UL 1784 per NFPA 105, ASTM E152, CAN4 S106, UBC 7-2, UL 10 (b) NFPA 252 (90- minute)

**STEP 1: SELECT MODEL NUMBER AND QUANTITY ON CHART—PAGE 2 OR ENTER CUSTOM SIZE BELOW**

\_\_\_ " Width x \_\_\_ " Height - **Rough opening is order size .**

Frame size is 1/4" less than Width and Height

**STEP 2: SELECT MATERIAL**

\_\_\_ Galvaneal steel with off-white primer

\_\_\_ Stainless steel with #4 finish on exterior

**OPTIONAL FEATURES AT ADDITIONAL COST**

\_\_\_ (K) Smoke Gasket - listed by Intertek Warnock Hersey. See Testing Standards in red box.

**Single Latch - Select One Option:**

\_\_\_ Raised knurled knob (KK) \_\_\_ 1-1/8" mortise prep complete w/mortise cylinder (MPI) \_\_\_ 1-1/8" mortise prep only (MP)

**Dual Latches - Select One Option:**

\_\_\_ Central two point latch operator with handle (2P)




\_\_\_ 1-1/8" mortise prep complete with mortise cylinder (MPI) \_\_\_ Top or \_\_\_ Bottom Second Latch will be Allen Key (A)


\_\_\_ 1-1/8" mortise prep only (MP) \_\_\_ Top or \_\_\_ Bottom Second Latch will be Allen Key (A)

\_\_\_ (2) 1-1/8" mortise preps only (MP) top and bottom

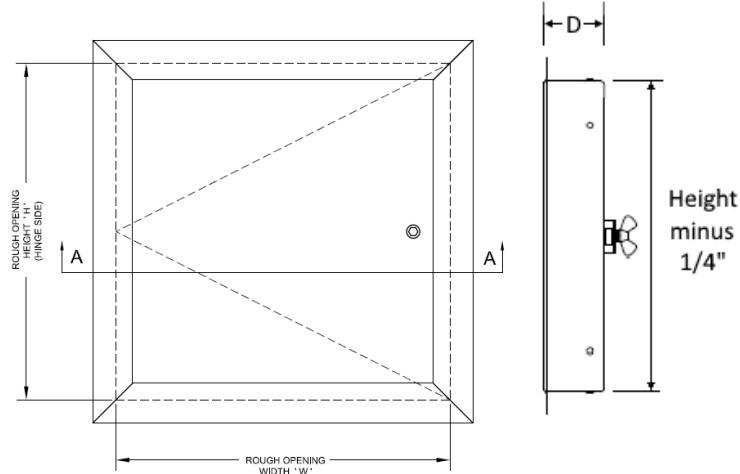
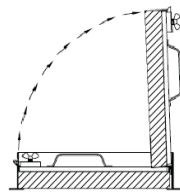
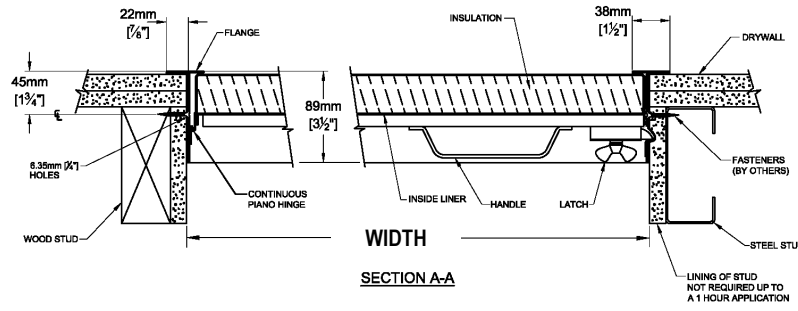
\_\_\_ (2) 1-1/8" mortise preps complete with (2) mortise cylinders (MPI) top and bottom

**LATCH AND LOCK OPTIONS**

Standard 1/4" Allen Key	Optional Mortise Lock (MPI)	Optional Knurled Knob (KK)
		

 <b>JL INDUSTRIES</b>	Distributor:	Quantity:
	Contractor:	Approved By:
	Model #:	Architect:
	Project:	Date: © 2023 Activar Construction Products Group, Inc.
1/16/2023		

QTY	Rough Opening is Order Size		No. of Latches/Locks	Weight in Kgs	Weight in Lbs.	
	W x H Hinge Side is "H"					
	Inches	Metric (mm)				
	Width x Height	Width x Height				
	FD2WI-1616	16 x 16	406 x 406	1	8	17
	FD2WI-1624	16 x 24	406 x 610	1	10	23
	FD2WI-1818	18 x 18	457 x 457	1	9	20
	FD2WI-1824	18 x 24	457 x 610	1	11	25
	FD2WI-1830	18 x 30	457 x 762	1	13	29
	FD2WI-1836	18 x 36	457 x 914	1	16	35
	FD2WI-1848	18 x 48	457 x 1219	1	20	45
	FD2WI-2020	20 x 20	508 x 508	1	10	23
	FD2WI-2024	20 x 24	508 x 610	1	12	26
	FD2WI-2030	20 x 30	508 x 762	1	15	32
	FD2WI-2036	20 x 36	508 x 914	1	17	38
	FD2WI-2040	20 x 40	508 x 1016	1	19	42
	FD2WI-2222	22 x 22	559 x 559	1	12	27
	FD2WI-2230	22 x 30	559 x 762	1	15	34
	FD2WI-2236	22 x 36	559 x 914	1	19	41
	FD2WI-2424	24 x 24	610 x 610	1	14	30
	FD2WI-2430	24 x 30	610 x 762	1	16	36
	FD2WI-2436	24 x 36	610 x 914	1	20	43
	FD2WI-2448	24 x 48	610 x 1219	2	25	55
	FD2WI-3030	30 x 30	762 x 762	1	20	43
	FD2WI-3036	30 x 36	762 x 914	2	23	51
	FD2WI-3048	30 x 48	762 x 1219	2	30	66
	FD2WI-3232	32 x 32	813 x 813	2	22	49
	FD2WI-3636	36 x 36	914 x 914	2	27	60
	FD2WI-3648	36 x 48	914 x 1219	2	35	77
	FD2WI-3660	36 x 60	914 x 1524	2	44	97
	FD2WI-4040	40 x 40	1016 x 1016	2	33	72
	FD2WI-4048	40 x 48	1016 x 1219	2	38	84
	FD2WI-4060	40 x 60	1016 x 1524	2	48	105
	FD2WI-4848	48 x 48	1219 x 1219	2	44	98
	FD2WI-4860	48 x 60	1219 x 1524	2	55	122



Clear Opening = Width minus 3-1/4", Height minus 1-1/2"

Second dimension given is the hinge side (shown in red) unless otherwise specified.

Other sizes available upon request for all Models.