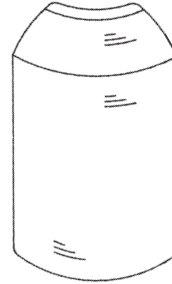


Drywall Accessories

Section: 09260

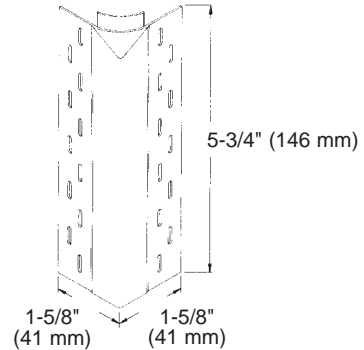
Baseboard Bullnose - 1" Radius

Product Number	Dimensions/Descriptions	Pieces Per Box
BNB808	2-1/4" (57 mm) bullnose corner-baseboard.	25
BNB809	3" (76 mm) bullnose corner-baseboard.	25
BNB810	3-1/4" (83 mm) bullnose corner-baseboard.	25



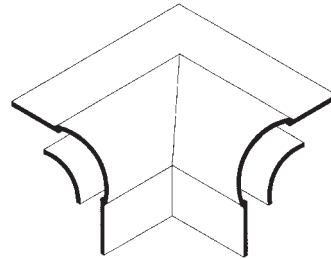
Bullnose Base Adapter

Product Number	Dimensions/Descriptions	Pieces Per Box
BNBA-811	Easily transforms a bullnose corner bead to a 90° base molding. Can be cut to accommodate narrower base molding.	25



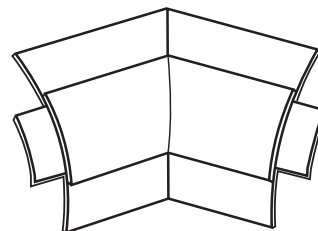
2 Way Inside Corner

Product Number	Dimensions/Descriptions	Pieces Per Box
2WIC	Two way inside corner. For joining two bullnose corners at 90° angles.	100



2 Way Splayed Inside Corner

Product Number	Dimensions/Descriptions	Pieces Per Box
2Way45	Two way splayed inside corner that forms a 135° corner.	25



Caulk all butt joints, intersections and ends.



PLASTIC PC[™]
COMPONENTS inc.