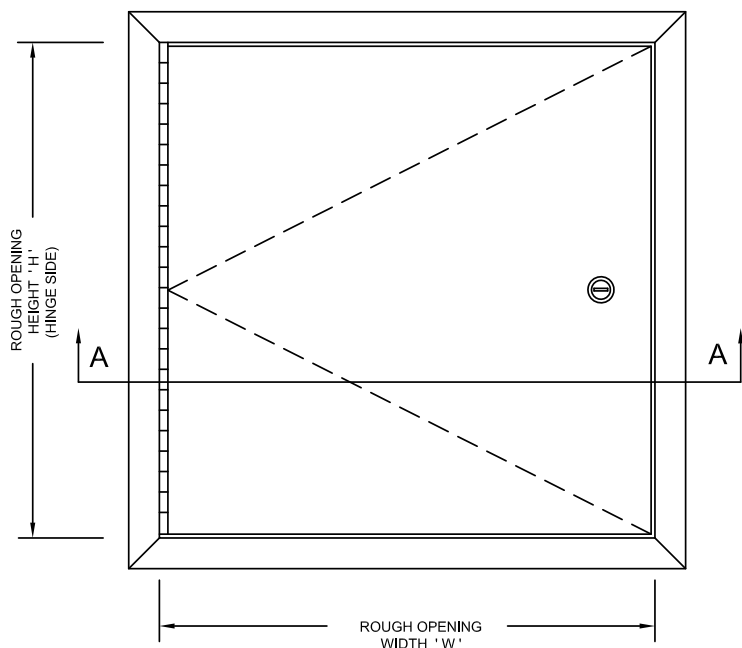




MODEL NGS - Gasketed Interior / Exterior

VAN-MET® NON-RATED ACCESS DOOR

Stainless steel, Air and Water Resistant.

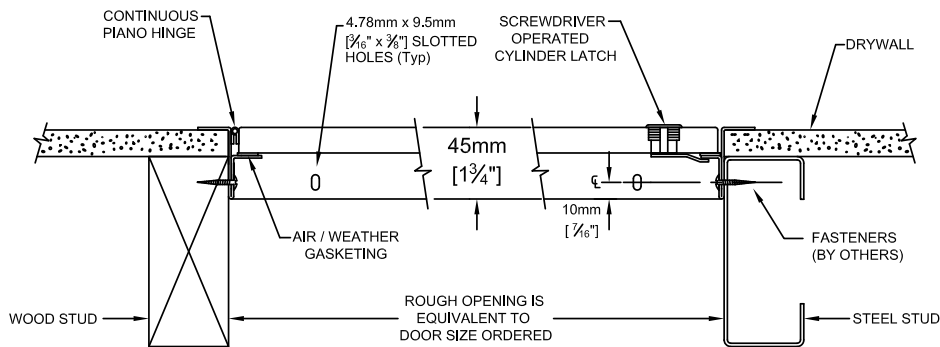


FRONT ELEVATION

STANDARD CONSTRUCTION:

- MATERIAL** - 304 STAINLESS STEEL.
- PANEL** - 1.61mm [16 ga]
- FRAME** - 1.61mm [16 ga]
- FLANGE** - 19mm [¾"] EXTERIOR FLANGE UP TO AND INCLUDING 914mm x 914mm [36" x 36"]. LARGER SIZES- 32mm [1¼"].
- HINGE** - CONTINUOUS STAINLESS STEEL PIANO HINGE. [OPENS TO 180°]
- LATCH** - SCREWDRIVER OPERATED CYLINDER CAM LATCH. NUMBER OF LATCHES VARIES WITH SIZE OF DOOR.
- GASKET** - FRAME GASKETED ON ALL FOUR SIDES.
- FINISH** - No.4 POLISHED STAINLESS STEEL FINISH ON THE EXTERIOR SURFACE.

* Specifications subject to change without notice.



SECTION A-A

PROJECT: _____

CONTRACTOR: _____

ARCH. OR ENG.: _____

DATE: _____

These drawings are the property of Maxam Metal Products Ltd. and incorporates information which is proprietary. Publication and/or public distribution in whole or in part is expressly prohibited without the prior written consent of Maxam Metal Products Ltd. The information herein remains the property of Maxam Metal Products Ltd. All rights reserved.

DWN BY KB	DATE Feb. / 2014	DWG. NO. Sheet 1 of 2	REV. 0
--------------	---------------------	--------------------------	-----------

