

SUBMITTAL: PANORAMA™ ALUMINUM FIRE EXTINGUISHER CABINETS

The Panorama Cabinet Features a Frameless Acrylic Door of Clear or Opaque Textured Acrylic with Many Lettering Options and Optional Anodized Aluminum Finishes.

Door & Trim Construction: No 180 clear anodized aluminum. Flush cabinet doors with a 5/8" door stop are attached by a continuous hinge and equipped with zinc-plated handle and roller catch. All models have 1-3/4" wide trim on frame and 1-1/4" trim on doors with glazing. Rolled edge models are constructed of mechanically-joined extrusions, except for models 1827 and 1027 which are die formed. *Die formed corners provide an attractive, rounded edge - unique to the JL line of cabinets!*

Trim Style & Depth: Recessed 3/8" flat trim, Semi Recessed - 1-1/4", 1-1/2" Square Edge or 2-1/2", 3", 4", 4-1/2" Rolled Edge (4" has recessed pull). Surface-mount models have a square edge.

Tub: The tub is constructed of cold rolled steel with white powder-coat finish standard. Surface-mount models have aluminum tub.

Fire-Rated Option Available: Yes - See separate Submittal Form.

STEP 1: SELECT MODEL NUMBER, MATERIAL AND QUANTITY ON CHART (refer to chart on pg 2)

A. Determine Trim Style according to wall depth.

B. Determine Tub I.D. according to size most suited for extinguisher and wall opening.

[BIM Objects for REVIT® Platform](#)

STEP 2: SELECT DOOR ACRYLIC WITH HANDLE

(Check one box below)

C70 Clear 3/16" Unlettered Smooth Acrylic

P Identity: 3/16" Textured Obscure Acrylic with Lettering

C71 Clear 3/16" Unlettered Smooth Acrylic & Saf-T-Lok™

Q Identity: 3/16" Textured Obscure Acrylic with Lettering & Saf-T-Lok™

STEP 3 - P&Q DOORS SELECT LETTERING STYLE View lettering styles on page 2 or:

[VIEW LETTERING STYLES](#)

<input type="checkbox"/> 40 Vert, Black Bkgd, White Lettering	<input type="checkbox"/> 45 Horiz, Black Bkgd, White Lettering	<input type="checkbox"/> 50 Ascend, Black Bkgd, White Lettering
<input type="checkbox"/> 41 Vert, Red Bkgd, White Lettering	<input type="checkbox"/> 46 Horiz, Red Bkgd, White Lettering	<input type="checkbox"/> 51 Ascend, Red Bkgd, White Lettering
<input type="checkbox"/> 42 Vert, White Bkgd, Black Lettering	<input type="checkbox"/> 47 Horiz, White Bkgd, Black Lettering	<input type="checkbox"/> 52 Ascend, White Bkgd, Black Lettering
<input type="checkbox"/> 43 Vert, White Bkgd, Red Lettering	<input type="checkbox"/> 48 Horiz, White Bkgd, Red Lettering	<input type="checkbox"/> 53 Ascend, White Bkgd, Red Lettering

STEP 4: OPTIONAL FEATURES AT ADDED COST (SELECT ANY)

- Futura "Fire" Handle ___ Mill Alum-(PUF) ___ Red ___ White
- Flush Pull Handle for "P" or "Q" Style Doors Only
- Polished Chrome Pull (PUCH)
- [Optional Dark Bronze Anodized Color Finish:](#) (with matching pull)

- (CA) Commander Alarm [View Alarms](#)
- (BA) Brigadier Alarm
- (SA) Strobe Alarm (surface mount)
- Aluminum Tub ___ Mill ___ Clear Anodized
- Optional Tub Color: ___ Black ___ Red

For More Information on Options See Other Submittals: [Decals & Die Lettering](#), [Wall Signs](#), [Alarms](#), [Pulls & Levers](#)



1026P40
Semi-Recessed
1-1/2" Trim



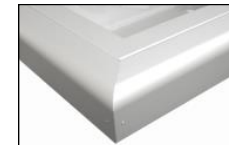
8127Q42
2-1/2" Rolled Trim
Semi-Recessed
With Saf-T-Lok™



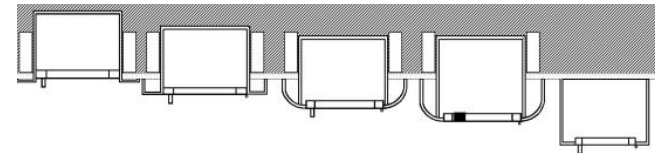
1826C70
1-1/2" Square
Trim
Semi-Recessed




Formed Rolled Edge



Extruded Rolled Edge

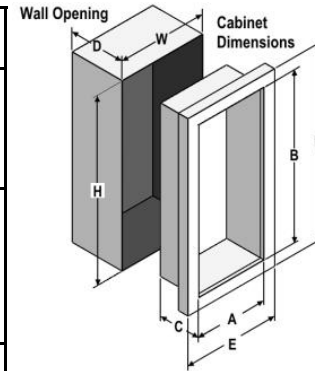


3/8" Flat Trim 1-1/2" Square 2-1/2", 3" 4" Rolled w/ Surface
Trim Rolled Edge Flush Pull or Mounted
4-1/2" w/Std Pull

 <p>ACTIVAR INC. CONSTRUCTION PRODUCTS GROUP</p> <p>PANORAMA AND SAF-T-LOK ARE TRADEMARKS OF ACPG PLEASE DOWNLOAD MOST CURRENT SUBMITTAL FROM WEBSITE BEFORE ORDERING</p>	Distributor:	Quantity:
	Contractor:	Approved By:
	Model #:	Architect:
	Project:	Date:
6/6/2019		

SUBMITTAL: PANORAMA ALUMINUM FIRE EXTINGUISHER CABINETS

TRIM & DOOR SERIES #			Tub I.D.			Frame O.D.		Wall Opening			View Extinguishers
QTY	Model	Trim Style(in)	A	B	C	E	F	W	H	D	
	8125	Flat trim •	9	18	5 1/2	12 3/8	21 3/8	10	19	5 3/8	Cosmic & Galaxy 2 1/2-6(6 lb must be mounted on tub) Mercury 2 1/2-5
	8126	1 1/2 Square•	9	18	5 1/2	12 3/8	21 3/8	10	19	4 1/8	
	8127	2 1/2 Rolled•	9	18	5 1/2	12 3/8	21 3/8	10	19	3 3/4	
	8123	Surf. Mtd Sq	12 3/16	21 3/16	6	12 3/8	21 3/8	--	--	--	Cosmic & Galaxy 2 1/2-6(6 lb must be mounted on tub) Mercury 2 1/2-5
	1825	Flat trim •	10 1/2	24	5 1/2	13 7/8	27 3/8	11 1/2	25	5 3/8	
	1826	1 1/2 Square•	10 1/2	24	5 1/2	13 7/8	27 3/8	11 1/2	25	4 1/8	
	1827	3 Rolled•	10 1/2	24	5 1/2	13 7/8	27 3/8	11 1/2	25	2 5/8	
	1822	4 Rolled*(• P or Q)	10 1/2	24	5 1/2	13 7/8	27 3/8	11 1/2	25	2 1/2	
	1828	4 1/2 Rolled	10 1/2	24	5 1/2	13 7/8	27 3/8	11 1/2	25	1-3/4	
	1025	Flat trim •	10 1/2	24	6	13 7/8	27 3/8	11 1/2	25	5 7/8	
	1026	1 1/2 Square•	10 1/2	24	6	13 7/8	27 3/8	11 1/2	25	4 5/8	Cosmic & Galaxy 2 1/2-10 Mercury 2 1/2-5, Sentinel 5
	1027	3 Rolled•	10 1/2	24	6	13 7/8	27 3/8	11 1/2	25	3 1/8	
	1022	4 Rolled*(• P or Q)	10 1/2	24	6	13 7/8	27 3/8	11 1/2	25	3	
	1028	4 1/2 Rolled	10 1/2	24	6	13 7/8	27 3/8	11 1/2	25	2 1/4	Any Cosmic, Galaxy, Mercury, Saturn or Grenadier P (20 lb must be mounted on back of tub), Sentinel 5 & 10
	1023	Surf Mtd. Sq	13 11/16	27 3/16	6 1/2	13 7/8	27 3/8	--	--	--	
	2025	Flat trim •	12	27	7 3/4	15 3/8	30 3/8	13	28	7 5/8	
	2026	1 1/4 Square•	12	27	7 3/4	15 3/8	30 3/8	13	28	6 5/8	
	2027	2 1/2 Rolled•	12	27	7 3/4	15 3/8	30 3/8	13	28	6	
	2022	4 Rolled*(• P or Q)	12	27	7 3/4	15 3/8	30 3/8	13	28	4 3/4	
	2028	4 1/2 Rolled	12	27	7 3/4	15 3/8	30 3/8	13	28	4	
	2023	Surf Mtd. Sq	15 3/16	30 3/16	8 1/4	15 3/8	30 3/8	--	--	--	
	3025	Flat trim •	16	32	7 3/4	19 3/8	35 3/8	17	33	7 5/8	
	3026	1 1/4 Square•	16	32	7 3/4	19 3/8	35 3/8	17	33	6 5/8	
	3027	2 1/2 Rolled•	16	32	7 3/4	19 3/8	35 3/8	17	33	6	Any Cosmic, Galaxy, Mercury, Saturn or Grenadier P (20 lb must be mounted on back of tub), Sentinel 5-15, 272
	3022	4 Rolled*(• P or Q)	16	32	7 3/4	19 3/8	35 3/8	17	33	4 3/4	
	3028	4 1/2 Rolled	16	32	7 3/4	19 3/8	35 3/8	17	33	4	Two each of: any Cosmic, Galaxy, Mercury, Saturn or Grenadier P (20 lb must be mounted on back of tub), Sentinel 5
	3023	Surf Mtd. Sq	19 3/16	35 3/16	8 1/4	19 3/8	35 3/8	--	--	--	
	4025	Flat trim •	20	27	7 3/4	23 3/8	30 3/8	21	28	7 5/8	
	4026	1 1/4 Square•	20	27	7 3/4	23 3/8	30 3/8	21	28	6 5/8	
	4027	2 1/2 Rolled•	20	27	7 3/4	23 3/8	30 3/8	21	28	6	
	4022	4 Rolled*(• P or Q)	20	27	7 3/4	23 3/8	30 3/8	21	28	4 3/4	
	4028	4 1/2 Rolled	20	27	7 3/4	23 3/8	30 3/8	21	28	4	
	4023	Surf Mtd. Sq	23 3/16	30 3/16	8 1/4	23 3/8	30 3/8	--	--	--	



ADA Cabinet Mounting
Height: Standard Pull on
G, E, W, L22 and B Door
Styles with Saf-T-Lok are 3
5/8" Higher than Door
Center, so Allow for that
When Mounting Cabinet.

Standard Pull with No Lock
or ADA Recessed Pull are
Centered on Door.

PANORAMA "P" & "Q" DOOR GLAZING STYLES



• Meets ADA Cabinet Projection

Models shown in **Large Bold** above are available in several door styles for Quick Shipment. [See current Stock List.](#)
* 4" Rolled models have recessed pull for P and Q Doors and standard pull for C Styles