

## SUBMITTAL: COSMOPOLITAN™ STAINLESS STEEL FIRE EXTINGUISHER CABINETS

The Cosmopolitan Series in Stainless Steel Is a Modern, Clean Look for Recessed, Semi-Recessed & Surface-Mounted Cabinets.

**Door & Trim Construction:** # 4 stainless steel. Flush cabinet doors with a 5/8" door stop are attached by a continuous hinge and equipped with zinc-plated handle and roller catch. All models have 1-3/4" wide trim on frame and 1-1/4" trim on doors with glazing.

**Trim Style & Depth:** *Recessed* 3/8" flat trim, *Semi Recessed* - 1-1/4", 1-1/2" Square Edge or 2-1/2", 3", 4", 4-1/2" Rolled Edge (4" has recessed FLUSHC pull). *Surface-mount* models have a square edge or optional rolled edge upon request.

**Tub:** The tub is constructed of cold rolled steel with white powder-coat finish standard. Surface-mount models have a stainless tub.

**Fire-Rated Option Available:** Yes - [See separate Submittal Form.](#)

**STEP 1: SELECT MODEL NUMBER AND QUANTITY ON CHART** (refer to chart on pg 2)

- A. Determine Trim Style according to wall depth.
- B. Determine Tub I.D. according to size most suited for extinguisher and wall opening.

**STEP 2: SELECT DOOR STYLE WITH HANDLE**

- F** Full Glazing
- G** Full Glazing with SAF-T-LOK™
- D** Horizontal Duo Panel
- E** Horizontal Dual Panel with SAF-T-LOK™
- S21** Solid Door

Check one box below Examples on Page 2

- L22** Solid with SAF-T-LOK™
- L24** Sold with Cylinder Lock - No Handle
- V** Vertical Duo
- W** Vertical Duo with SAF-T-LOK™
- B** Solid with 2" x 4" View Window & SAF-T-LOK™

**STEP 3: SELECT DOOR GLAZING**

- 10** Clear Acrylic
- 13** Clear Wire Glass with Safety Film

(Check one box below)

- 15** Bronze Acrylic
- 16** Gray Acrylic
- 17** Clear Tempered Glass
- 18** Laminated Safety Glass

**STEP 4: OPTIONAL FEATURES AT ADDED COST (SELECT ANY)**

- Optional Tub Color: \_\_\_ Black \_\_\_ Red
- Futura "Fire" Pull \_\_\_ Mill Alum \_\_\_ Red \_\_\_ White
- Flush Pull Handle
- Polished Chrome Lever Handle (**PUCH**)
- Stainless Tub \_\_\_ #4 Finish [View Stainless Finishes](#)
- Other Stainless Finish: \_\_\_ #6 \_\_\_ #7 \_\_\_ #8
- Rolled Edge Surface Mount Cabinet

- Black Vertical FE Letters **LDCVBFE**
- Red Vertical FE Letters **LDCVRFE**
- White Vertical FE Letters **LDCVWFE**
- Black Horizontal FE Letters **LDCHBFE**
- Red Horizontal FE Letters **LDCHRFE**
- White Horizontal FE Letters **LDCHWFE**

- Black Vertical Decal **LDVBFE**
- Red Vertical Decal **LDVRFE**
- White Vertical Decal **LDVWFE**
- Black Horizontal Decal **LDHBFE**
- Red Horizontal Decal **LDHRFE**
- White Horizontal Decal **LDHWFE**

- (CA)** Commander Alarm
- (BA)** Brigadier Alarm
- (SA)** Strobe Alarm (Surface Mount Models)
- Etched/Engraved Lettering in Glass or Metal- Attach Sub

For More Information on Options See Other Submittals: [Handles & Levers.](#) [Decals/Die Cuts & Wall Signs.](#) [More Alarm Information](#)



**1035G10**  
Recessed



**1033S21**  
Surface Mount




**1037V10**  
3" Rolled Edge  
Semi-Recessed



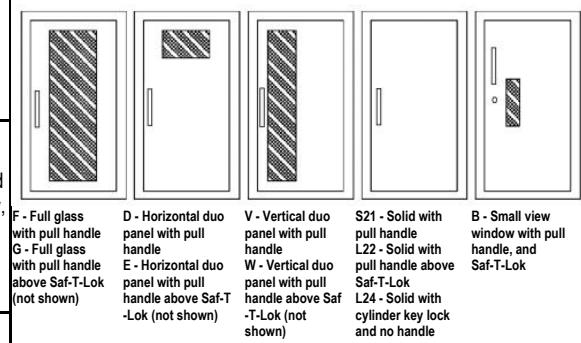
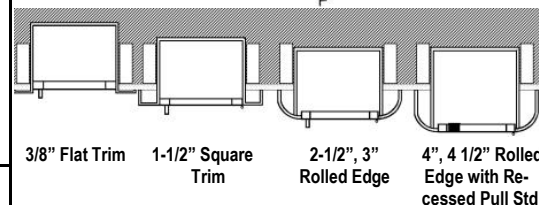
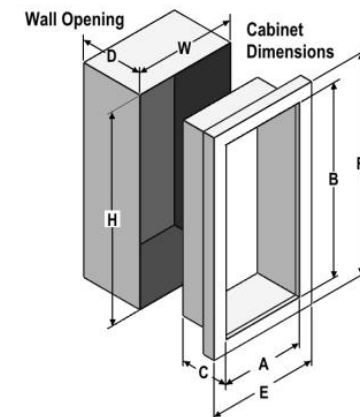
**1035L22**  
Recessed

[BIM Objects for REVIT® Platform](#)

 <b>ACTIVAR INC.</b> CONSTRUCTION PRODUCTS GROUP	Distributor:	Quantity:
	Contractor:	Approved By:
	Model #:	Architect:
	Project:	Date:
© 2017 Activar Construction Products Group, Inc		
6/13/2017		

## SUBMITTAL: COSMOPOLITAN FIRE EXTINGUISHER CABINETS

TRIM & DOOR SERIES #			Tub I.D.			Frame O.D.		Wall Opening			Fits Extinguishers
QTY	Model	Trim Style (in)	A	B	C	E	F	W	H	D	<a href="#">View Submittal</a>
	<b>8135</b>	Flat 3/8" Trim	9	18	5 1/2	12 3/8	21 3/8	10	19	5 3/8	Cosmic & Galaxy 2 1/2-6 (6 lb must be mounted to back of tub), Mercury 2 1/2-5
	<b>8136</b>	1 1/2 Square	9	18	5 1/2	12 3/8	21 3/8	10	19	4 1/8	
	<b>8137</b>	2 1/2 Rolled	9	18	5 1/2	12 3/8	21 3/8	10	19	3 1/8	
	<b>8133</b>	Surf. Mtd Sq	12 3/16	21 3/16	6	12 3/8	21 3/8	--	--	--	
	<b>1730</b>	2-1/4 Square	10 1/2	24	5	13 7/8	27 3/8	11 1/2	25	3	
	<b>1835</b>	Flat 3/8" Trim	10 1/2	24	5 1/2	13 7/8	27 3/8	11 1/2	25	5 3/8	Cosmic & Galaxy 2 1/2-6 (6 lb must be mounted to back of tub), Mercury 2 1/2-5
	<b>1836</b>	1 1/2 Square	10 1/2	24	5 1/2	13 7/8	27 3/8	11 1/2	25	4 1/8	
	<b>1837</b>	3 Rolled	10 1/2	24	5 1/2	13 7/8	27 3/8	11 1/2	25	2 5/8	
	<b>1832</b>	4 Rolled/Flush Pull	10 1/2	24	5 1/2	13 7/8	27 3/8	11 1/2	25	1 7/8	
	<b>1838</b>	4 1/2 Rolled	10 1/2	24	5 1/2	13 7/8	27 3/8	11 1/2	25	1 1/8	
	<b>1035</b>	Flat 3/8" Trim	10 1/2	24	6	13 7/8	27 3/8	11 1/2	25	5 7/8	Cosmic & Galaxy 2 1/2-10 Mercury 2 1/2-5, Sentinel 5
	<b>1036</b>	1 1/2 Square	10 1/2	24	6	13 7/8	27 3/8	11 1/2	25	4 5/8	
	<b>1037</b>	3 Rolled	10 1/2	24	6	13 7/8	27 3/8	11 1/2	25	3 1/8	
	<b>1032</b>	4 Rolled/Flush Pull	10 1/2	24	6	13 7/8	27 3/8	11 1/2	25	2 3/8	
	<b>1038</b>	4 1/2 Rolled	10 1/2	24	6	13 7/8	27 3/8	11 1/2	25	1 5/8	
	<b>1033</b>	Surf Mtd. Sq	13 11/16	27 3/16	6 1/2	13 7/8	27 3/8	--	--	--	
	<b>2035</b>	Flat 3/8" Trim	12	27	7 3/4	15 3/8	30 3/8	13	28	7 5/8	Any Cosmic or Galaxy (20 lb must be mounted to back of tub), Mercury, Saturn or Grenadier P, Sentinel 5 & 10
	<b>2036</b>	1 1/4 Square	12	27	7 3/4	15 3/8	30 3/8	13	28	6 5/8	
	<b>2037</b>	2 1/2 Rolled	12	27	7 3/4	15 3/8	30 3/8	13	28	5 3/8	
	<b>2032</b>	4 Rolled/Flush Pull	12	27	7 3/4	15 3/8	30 3/8	13	28	4 1/8	
	<b>2038</b>	4 1/2 Rolled	12	27	7 3/4	15 3/8	30 3/8	13	28	3 3/8	
	<b>2033</b>	Surf Mtd. Sq	15 3/16	30 3/16	8 1/4	15 3/8	30 3/8	--	--	--	
	<b>3035</b>	Flat 3/8" Trim	16	32	7 3/4	19 3/8	35 3/8	17	33	7 5/8	Any Cosmic or Galaxy (20 lb must be mounted to back of tub), Mercury, Saturn or Grenadier P, Sentinel 5-15, 272
	<b>3036</b>	1 1/4 Square	16	32	7 3/4	19 3/8	35 3/8	17	33	6 5/8	
	<b>3037</b>	2 1/2 Rolled	16	32	7 3/4	19 3/8	35 3/8	17	33	5 3/8	
	<b>3032</b>	4 Rolled/Flush Pull	16	32	7 3/4	19 3/8	35 3/8	17	33	4 1/8	
	<b>3038</b>	4 1/2 Rolled	16	32	7 3/4	19 3/8	35 3/8	17	33	3 3/8	
	<b>3033</b>	Surf Mtd. Sq	19 3/16	35 3/16	8 1/4	19 3/8	35 3/8	--	--	--	
	<b>4035</b>	Flat 3/8" Trim	20	27	7 3/4	23 3/8	30 3/8	21	28	7 5/8	Two each of: any Cosmic or Galaxy (20 lb must be mounted on back of tub), Mercury, Saturn or Grenadier P, Sentinel 5
	<b>4036</b>	1 1/4 Square	20	27	7 3/4	23 3/8	30 3/8	21	28	6 5/8	
	<b>4037</b>	2 1/2 Rolled	20	27	7 3/4	23 3/8	30 3/8	21	28	5 3/8	
	<b>4032</b>	4 Rolled/Flush Pull	20	27	7 3/4	23 3/8	30 3/8	21	28	4 1/8	
	<b>4038</b>	4 1/2 Rolled	20	27	7 3/4	23 3/8	30 3/8	21	28	3 3/8	
	<b>4033</b>	Surf Mtd. Sq	23 3/16	30 3/16	8 1/4	23 3/8	30 3/8	--	--	--	



[VIEW ALL DOOR STYLES ONLINE](#)

**ADA Cabinet Mounting Height:** Standard Pull on G, E, W, L22 and B Door Styles with Saf-T-Lok are 3 5/8" Higher than Door Center, so Allow for that When Mounting Cabinet.  
Standard Pull with No Lock or Flush Pull are Centered on Door.

• Cabinets that Meet 4" Maximum ADA Projection Requirement [ADA Information](#)  
Models shown in **Large Bold** above are available in several door styles for Quick Shipment. [See current Stock List.](#)