



# CD-5080-F

## DUCT DOOR for Fiberglass Ducts

### Application

- Economical access to fiberglass ducts

### Product Features

- These doors are for use in low to medium pressure fiberglass ducts
- Double cam - no hinge, removable door panel

### Options:

- Aluminum, stainless steel

### CD-5080F Duct Access Door Specifications:

Material: Galvanized steel

Door: 24 gauge

Mounting Frame: 24 gauge

Gasketing: 1/8" thick by 1/2" wide closed cell neoprene gasketing between door and frame.  
1/16" thick by 1 1/2" adhesive bonded gasket between frame to duct

Insulation: 1" Micro-Airc M/F type 475, R Value 7.7

Latch: Self tightening, hand operated cam latch



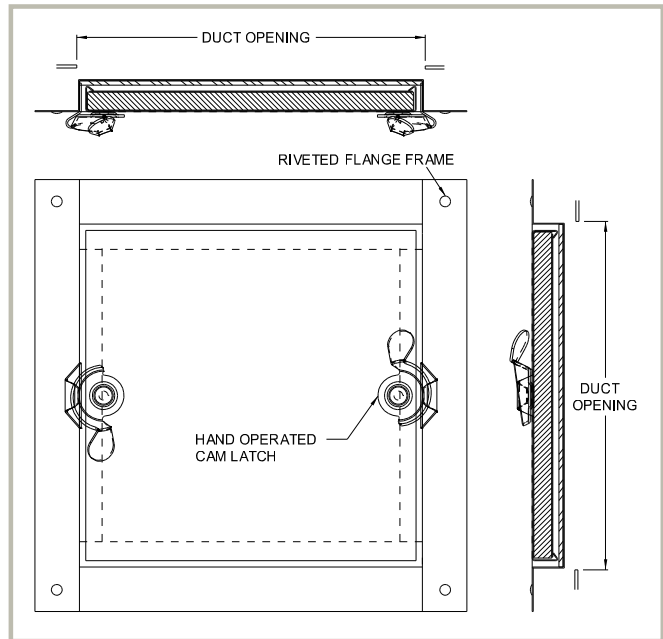
### CD-5080-F STANDARD SIZES

(other sizes available upon request)

Nominal Door Size W&H		Opening	Weight per Door	
Inches	mm		lbs.	kg.
6 x 6	150 x 150	2	1	0.5
8 x 8	200 x 200	2	1.25	0.6
10 x 10	250 x 250	2	2	0.9
12 x 12	300 x 300	2	2.5	1.1
14 x 14	350 x 350	4	3.25	1.5
16 x 16	400 x 400	4	4	1.8
18 x 18	450 x 450	4	5.5	2.5
24 x 24	610 x 610	4	9	4.1

Duct opening is the same as the nominal door size

For detailed specifications see submittal sheet



Product specifications may change without notice. Acudor is a registered Trade Mark ©2015